

GENERAL NOTES:

- VISITS TO THE JOB SITE BY REPRESENTATIVES OF THE ENGINEER DO NOT SUBSTITUTE APPROVAL OF THE WORK PERFORMED BY THE CONTRACTOR OR HIS SUBCONTRACTORS AND ARE MERELY FOR THE PURPOSE OF OBSERVING THE WORK PERFORMED.
- CONTRACTOR SHALL NOTIFY ENGINEER/ARCHITECT OF ANY DISCREPANCIES, OMISSIONS OR CONFLICTS BETWEEN THE VARIOUS ELEMENTS OF THE WORKING DRAWINGS AND/OR SPECIFICATIONS BEFORE PROCEEDING WITH ANY WORK INVOLVED. IN ALL CASES, UNLESS OTHERWISE DIRECTED, THE MOST STRINGENT REQUIREMENTS SHALL GOVERN AND BE PERFORMED.
- CONTRACTOR SHALL VERIFY ALL CONDITIONS, DIMENSIONS AND ELEVATIONS, ETC., AT THE SITE AND SHALL COORDINATE WORK PERFORMED BY ALL TRADES. DO NOT SCALE DRAWINGS.
- SHOP DRAWINGS SHALL BE REVIEWED BY THE ENGINEER/ARCHITECT PRIOR TO FABRICATION OR ERECTION FOR ANY PREFABRICATED OR MANUFACTURER-DESIGNED COMPONENTS AND SHALL BE STAMPED BY A PROFESSIONAL ENGINEER REGISTERED IN THE STATE WHERE THIS STRUCTURE RESIDES.
- SIZES, LOCATIONS, LOADS, AND ANCHORAGES OF EQUIPMENT SHALL BE VERIFIED IN THE FIELD WITH EQUIPMENT MANUFACTURERS (SUPPLIERS) PRIOR TO FABRICATION OR INSTALLATION OF SUPPORTING STRUCTURES.
- TEMPORARY BRACING SHALL BE PROVIDED WHEREVER NECESSARY TO TAKE CARE OF ALL LOADS TO WHICH THE STRUCTURE MAY BE SUBJECTED, INCLUDING WIND. SUCH BRACING SHALL BE LEFT IN PLACE AS LONG AS MAY BE REQUIRED FOR SAFETY, OR UNTIL ALL THE STRUCTURAL ELEMENTS ARE INSTALLED.
- DURING AND AFTER CONSTRUCTION THE CONTRACTOR AND/OR OWNER SHALL KEEP LOADS ON THE STRUCTURE WITHIN THE LIMITS OF THE DESIGN LOAD.
- CONTRACTOR AND ALL SUBCONTRACTORS SHALL PERFORM THEIR TRADES AND DUTIES IN A MANNER CONFORMING TO THE SUBORDINATE AND REQUIREMENTS AS STATED IN THE 2015 INTERNATIONAL RESIDENTIAL CODE, (OR LATEST ACCEPTED CODE ADOPTED BY THE LOCAL BUILDING OFFICIALS).
- ANY SPECIAL INSPECTIONS REQUIRED BY THE BUILDING OFFICIAL OR THE BUILDING CODE ARE THE RESPONSIBILITY OF THE OWNER OR CONTRACTOR.
- CONTRACTOR SHALL BE RESPONSIBLE FOR SAFETY AND PROTECTION WITHIN AND ADJACENT TO THE JOB SITE.

LUMBER NOTES:

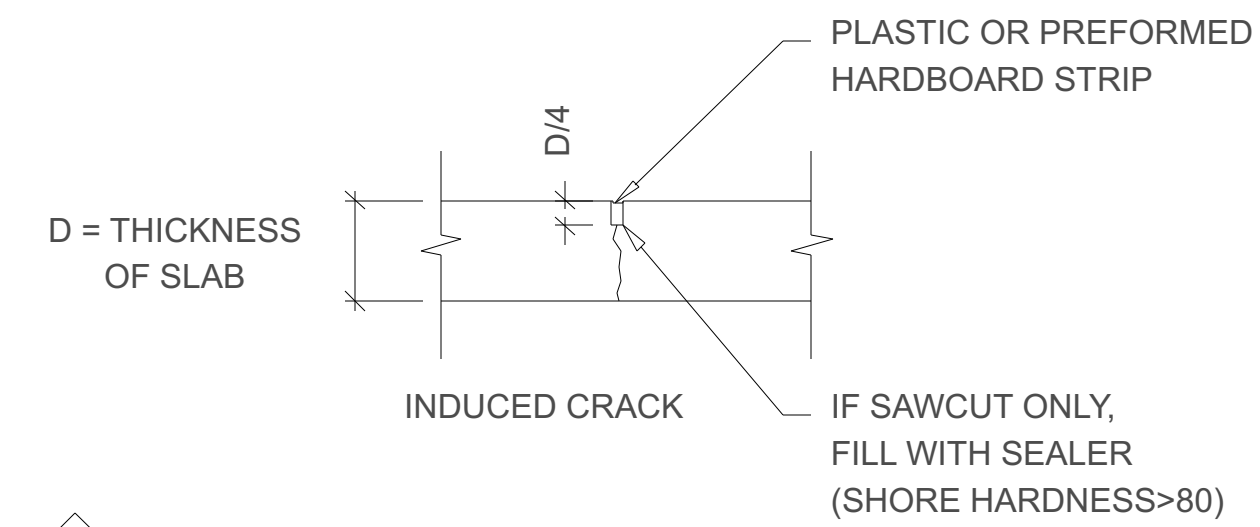
- MEMBER GRADES SHALL BE AS FOLLOWS UNLESS OTHERWISE NOTED:
 GLU-LAM BEAMS24F-V4 DF/DF
 JOISTSDOUG-FIR #2 BTR
 HEADERS.....DOUG-FIR #2 BTR
 POST.....DOUG-FIR #1 BTR
 STUDS NON-BEARING WALLS.....DOUG-FIR STUD GRADE BTR
 STUDS BEARING WALLS.....DOUG-FIR #2 BTR
 PRE-FAB JOISTSAS PER MANUFACTURER
 SILL PLATES IN CONTACT WITH CONCRETE.....DOUG-FIR #2 PRESSURE TREATED FOR MOISTURE PROTECTION
- WHERE NOT NOTED OTHERWISE, CONNECT ALL WOOD TO CONCRETE, WOOD TO STEEL AND WOOD TO WOOD (EXCEPT STUD TO PLATE) WITH SIMPSON CONNECTORS.
- ALL MULTIPLE PLATES AND LEDGERS SHALL BE NAILED TOGETHER WITH 16d NAILS AT 8" ON CENTER.
- STUD WALLS SHALL RUN CONTINUOUS BETWEEN POINTS OF HORIZONTAL SUPPORT. PROVIDE BRACING WHERE OTHERWISE.
- BLOCK ALL HORIZONTAL EDGES OF PLYWOOD WALL SHEATHING WITH 2" NOMINAL BLOCKING. BLOCK EDGES OF PLYWOOD ON FLOORS AND ROOF AS DIRECTED ON DRAWINGS.
- SOLID 2" NOMINAL BLOCKING SHALL BE PROVIDED AT ENDS OR POINTS OF SUPPORT OF ALL WOOD JOISTS.
- ALL LEDGER BOLTS SHALL HAVE PLATE WASHERS WITH A MINIMUM DIA. EQUAL TO 3 TIMES THE BOLT DIA. UNLESS SHOWN OTHERWISE IN DETAILS.
- MINIMUM NAILING SHALL BE AS PER IRC.
- FASTENERS SUCH AS STAPLES, CAN ONLY BE SUBSTITUTED FOR NAILS AT A RATE EQUAL TO LOAD VALUES PROVIDED BY I.C.B.O. APPROVAL. SEE ATTACHED SCHEDULE.
- JOISTS SHALL HAVE BRIDGING, BLOCKING AND NOTCHED BEARING PLATES AS RECOMMENDED BY THE MANUFACTURER WITH A MINIMUM OF ONE ROW OF BRACING AT MID SPAN. MANUFACTURER SHALL SUPPLY AND CONTRACTOR SHALL INSTALL.

FOOTINGS, FOUNDATIONS, AND SLAB ON GRADE NOTES:

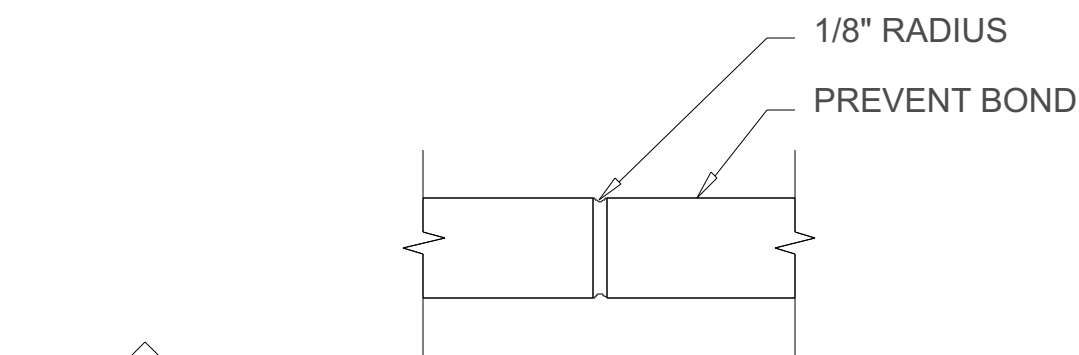
- ALL FOOTING SIZES ARE BASED ON AN ASSUMED SOIL BEARING PRESSURE OF 1500 PSF. ANY SOIL CONDITION ENCOUNTERED DURING EXCAVATION THAT IS CONTRARY TO THOSE USED FOR DESIGN OF FOOTINGS AS OUTLINED IN WORKING DRAWINGS SHALL BE BROUGHT TO THE ATTENTION OF THE ARCHITECT/ENGINEER BEFORE PROCEEDING.
- ALL FOOTINGS SHALL BEAR ON UNDISTURBED NATIVE SOIL OR ENGINEERED GRANULAR FILL COMPACTED TO 95% OF MAX. DENSITY, BASED ON ASTM D 1557 METHOD OF COMPACTION. FILL SHALL BE PLACED IN LAYERS NOT TO EXCEED SIX IN. IN DEPTH AFTER COMPACTION AND SHALL EXTEND DOWN TO IN-SITU SOILS. FILL SHALL BE COMPACTED UNDER ALL CONCRETE WORK ON THE SITE.
- NO FOOTINGS SHALL BE PLACED IN WATER, SNOW, FROZEN GROUND, OR UNSTABLE SOILS.
- ALL EXCAVATIONS ADJACENT TO AND BELOW FOOTING ELEVATION FOR OTHER TRADES SHALL BE ACCOMPLISHED PRIOR TO POURING ANY FOOTINGS.
- CONTRACTOR SHALL BE RESPONSIBLE FOR LATERALLY SUPPORTING ALL RETAINING TYPE FOUNDATION WALLS WHILE COMPACTING BEHIND WALLS AND UNTIL ALL SUPPORTING MEMBERS HAVE BEEN PLACED (SUCH AS FLOOR SLABS). ALL OPEN EXCAVATIONS AND TRENCHES SHALL BE SUPPORTED AND BARRICADED BY CONTRACTOR TO CONFORM WITH OSHA SAFETY STANDARDS.
- ALL REINFORCEMENTS SHALL BE SECURELY TIED IN PLACE PRIOR TO POURING CONCRETE.
- PROVIDE DOWELS IN FOOTING AND FOUNDATIONS TO MATCH ALL VERTICAL BARS IN WALLS AND COLUMNS ABOVE, UNLESS NOTED OTHERWISE.
- PROVIDE CONTROL JOINTS (SEE TYPICAL DETAILS) IN SLABS AT A MAX. OF 15 FT. o.c. EACH WAY AND AS SHOWN ON PLANS. POUR SLABS BETWEEN CONTROL JOINTS, SO THAT ADJACENT POURS ARE STAGGERED AT LEAST TWO DAYS APART. SHORTLY AFTER SLABS ARE POURED, MAKE SAW-CUT JOINTS AT A MAX. OF 15 FT. o.c. BETWEEN POUR CONTROL JOINTS.

CONCRETE NOTES:

- ALL COLUMNS AND WALLS AND ALL EXTERIOR FLATWORK, CURBS, GUTTERS, ETC., SHALL BE NORMAL WEIGHT CONCRETE WITH A COMPRESSIVE STRENGTH EQUAL TO AT LEAST 4,000 LBS. PER SQUARE INCH WITHIN 28 DAYS AFTER POURING. THE WATER/CEMENT RATIO SHALL BE NO GREATER THAN 0.44 AND SLUMP SHALL BE 3" OR LESS. MINIMUM CEMENT CONTENT SHALL BE 564 LBS. PER CUBIC YARD.
- ALL FOOTINGS, FOUNDATIONS, AND INTERIOR SLABS ON GRADE SHALL BE NORMAL WEIGHT CONCRETE WITH A COMPRESSIVE STRENGTH EQUAL TO AT LEAST 3,000 LBS. PER SQUARE INCH WITHIN 28 DAYS AFTER POURING. THE WATER/CEMENT RATIO SHALL BE NO GREATER THAN 0.50 AND SLUMP SHALL BE 3" OR LESS. MINIMUM CEMENT CONTENT SHALL BE 470 LBS. PER CUBIC YARD.
- UNLESS OTHERWISE NOTED, ALL CONSTRUCTION JOINTS SHALL BE KEYED WITH A KEY 1-1/2" DEEP, A LENGTH 2" LESS THAN THE MEMBER, AND A WIDTH 1/2 OF THE MEMBER. REINFORCING SHALL BE CONTINUOUS THRU JOINT.
- ALL METAL REINFORCEMENT SHALL BE DEFORMED TYPE BARS AND SHALL CONFORM TO THE REQUIREMENTS OF THE STANDARD SPECIFICATIONS A.S.T.M. A615 GRADE 60. BEAM AND COLUMN TIE REINFORCEMENT SHALL CONFORM TO THE REQUIREMENTS OF THE STANDARD SPECIFICATION A.S.T.M. A615 GRADE 60.
- ALL SPLICES IN CONTINUOUS CONCRETE REINFORCING BARS SHALL LAP 40 BAR DIAMETERS. ALL SUCH SPLICES SHALL BE MADE IN A REGION OF COMPRESSION UNLESS OTHERWISE SHOWN.
- ALL REINFORCEMENT BARS SHALL BE SECURELY ANCHORED AND SHALL BE SPACED FROM THE FORMS (UNLESS SHOWN OTHERWISE) AS FOLLOWS: 2" IN BEAMS AND COLUMNS, 1" IN PROTECTED WALLS AND SUSPENDED SLABS, 2" IN UNPROTECTED WALLS, AND 3" ABOVE BOTTOM AND SIDES OF FOOTINGS.
- ALL OPENINGS IN CONCRETE WALLS SHALL BE REINFORCED WITH 2 #5 BARS EXTENDING 2'0" MIN BEYOND THE EDGE OF THE OPENING AT EACH FACE OF OPENING.
- ALL CONCRETE WORK SHALL BE PLACED, CURED, STRIPPED, AND PROTECTED AS DIRECTED BY THE SPECIFICATIONS AND ACI STANDARDS AND PRACTICES.
- BEFORE CONCRETE IS POURED CHECK WITH ALL TRADES TO INSURE PROPER PLACEMENT OF ALL OPENINGS, SLEEVES, CURBS, CONDUITS, BOLTS, INSERTS, ETC. RELATIVE TO WORK.
- CONTRACTOR IS RESPONSIBLE FOR ALL SHORING AND FORMWORK.
- REFER TO ARCHITECTURAL DRAWINGS FOR MOLDS, GROOVES, ORNAMENT, CLIPS OR GROUNDS, REQUIRED TO BE ENCASED IN CONCRETE AND FLOOR LOCATION OF FLOOR FINISHES AND SLAB DEPRESSIONS.
- WELDED WIRE FABRIC SHALL CONFORM TO ASTM A 185 AND SHALL HAVE A MINIMUM SIDE LAP OF 8 IN.
- ALL REINFORCEMENT SHALL BE DETAILED AND PLACED IN ACCORDANCE WITH ACI DETAILING MANUAL 315-95 AND ACI STANDARD 318-95.
- FOR STEPS IN FOUNDATION GREATER THAN 2 FEET, WRAP CORNER W/2- #4 BARS EXTENDING 18" EACH DIRECTION.



SAWED OR PREMOLDED CONTRACTION JOINT
SCALE: NONE



BUTT JOINT CONSTRUCTION JOINT
SCALE: NONE

MINIMUM NAILING SCHEDULE

"CONNECTION"	"NAILING"
1. JOIST TO SILL GIRDER, TOENAIL	3-8d
2. BRIDGING TO JOIST, TOENAIL EA. END	2-8d
3. SOLE PLATE TO JOIST OR BLOCKING	Face Nail 16d @ 16" OC
4. TOP PLATE TO STUD, END NAIL	2-16d
5. STUD TO SOLE PLATE	4-8d TOENAIL, 2-16d END NAIL
6. DOUBLE STUDS, FACE NAIL	16d @ 24" OC
7. DOUBLE TOP PLATES, FACE NAIL	16d @ 16" OC
8. TOP PLATES, LAPS AND INTERSECTIONS, FACE NAIL	2-16d
9. CONTINUOUS HEADERS TWO PIECES, ALONG EA. EDGE	16d @ 16" OC
10. CEILING JOISTS TO PLATE, TOENAIL	3-8d
11. CONTINUOUS HEADERS TO STUD, TOENAIL	4-8d
12. CEILING JOISTS, LAPS OVER PARTITIONS, FACE NAIL	3-16-d
13. CEILING JOISTS TO PARALLEL RAFTERS, FACE NAIL	3-16d
14. RAFTER TO PLATE, TOENAIL	3-8d
15. BUILT-UP CORNER STUDS	16d @ 24" OC
16. BUILT-UP GIRDER AND BEAMS	20d @ 32" OC T/B STAGGERED 2-20d @ ENDS & SPLICES

STEEL LINTEL SCHEDULE

CLEAR OPENING	SIZE ANGLE
UP TO 5'-0"	3 1/2" x 3" x 1/4"
5'-1" TO 7'-0"	3 1/2" x 3 1/2" x 1/4"
7'-1" TO 9'-0"	5" x 3" x 1/4"
9'-1" TO 10'-0"	5" x 3" x 5/16"
10'-1" TO 11'-0"	5" x 3" x 3/8"
11'-1" TO 12'-0"	6" x 3" x 3/8"
12'-1" AND OVER	ANALYSIS REQD.

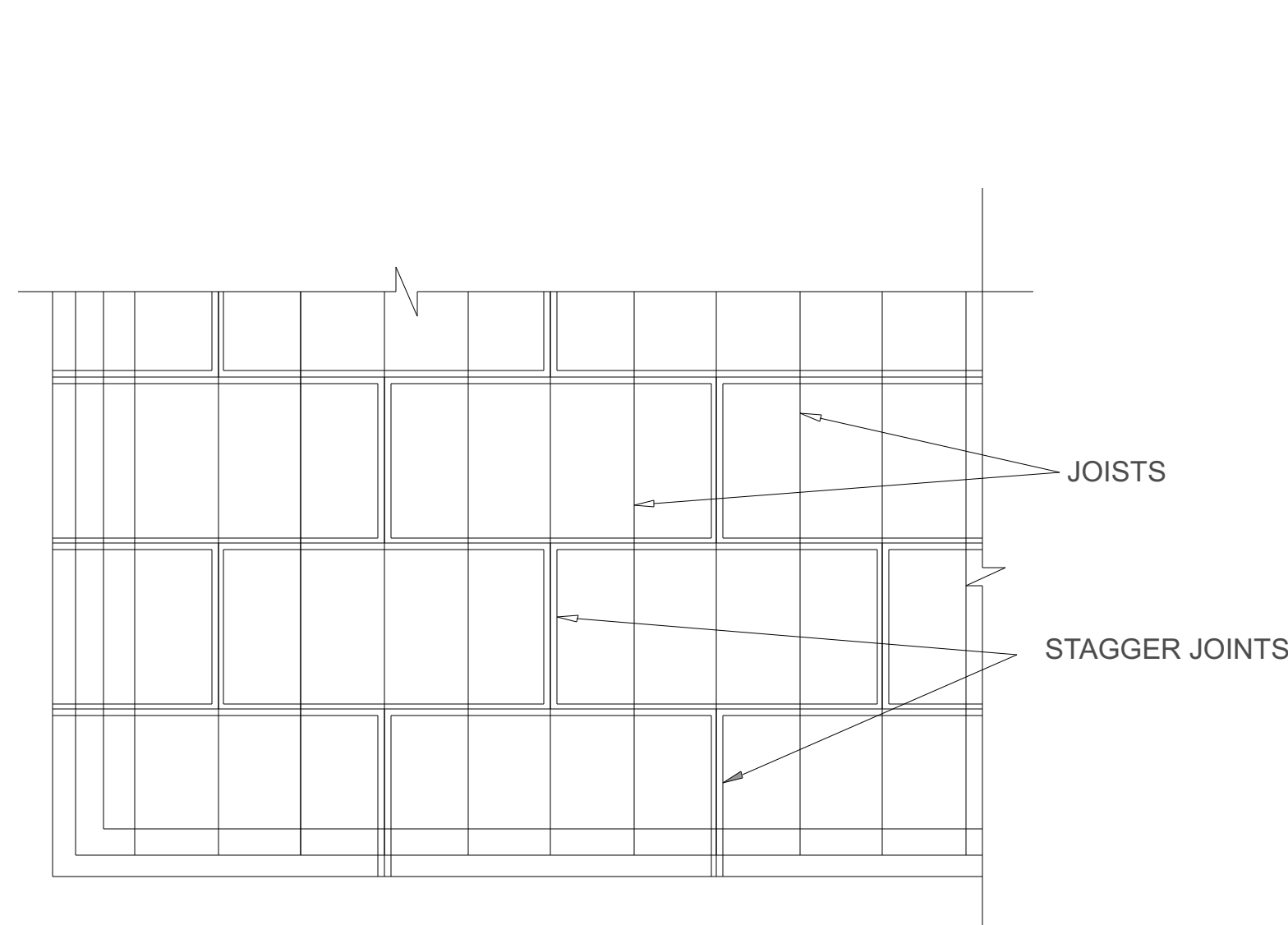
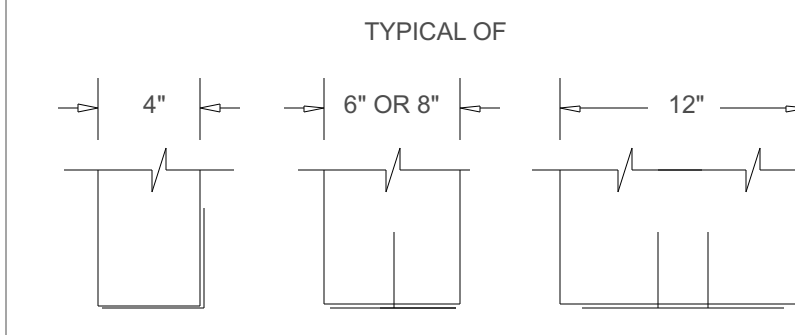
**TABLE OF EQUIVALENT FASTENERS
STAPLES, NAILS AND T-NAILS
(VALID FOR LATERAL LOAD ONLY)**

COMMON NAIL SPACING	EQUIV. SPACING OF APPR. FASTENERS					
	GAUGE	STAPLES		NAILS/T-NAILS		
		1"	1"	1"	1 1/4"	1/2"
6d AT	4"	3 1/2"	4"	5"	4"	5"
	6"	5"	6"	7"	6"	7 1/2"
	8"	6 1/2"	8"	9 1/2"	8"	10"
	10"	8 1/2"	10"	12"	10"	12"
	12"	10"	12"	14 1/2"	12"	14 1/2"
8d AT	3"	2"	2 1/2"	3"	2 1/2"	3"
	4"	2 1/2"	3 1/2"	4"	3 1/2"	4"
	6"	4"	5"	6"	5"	6"
	8"	5 1/2"	6 1/2"	8"	6 1/2"	8"
	10"	6 1/2"	8"	10"	8"	10"
10d AT	4"	2"	2 1/2"	3"	2 1/2"	3 1/2"
	6"	3 1/2"	4"	5"	4"	5"
	8"	4 1/2"	5 1/2"	6 1/2"	5 1/2"	7"
	10"	5 1/2"	7"	8"	6 1/2"	8 1/2"
	12"	6 1/2"	8"	9 1/2"	8 1/2"	10"

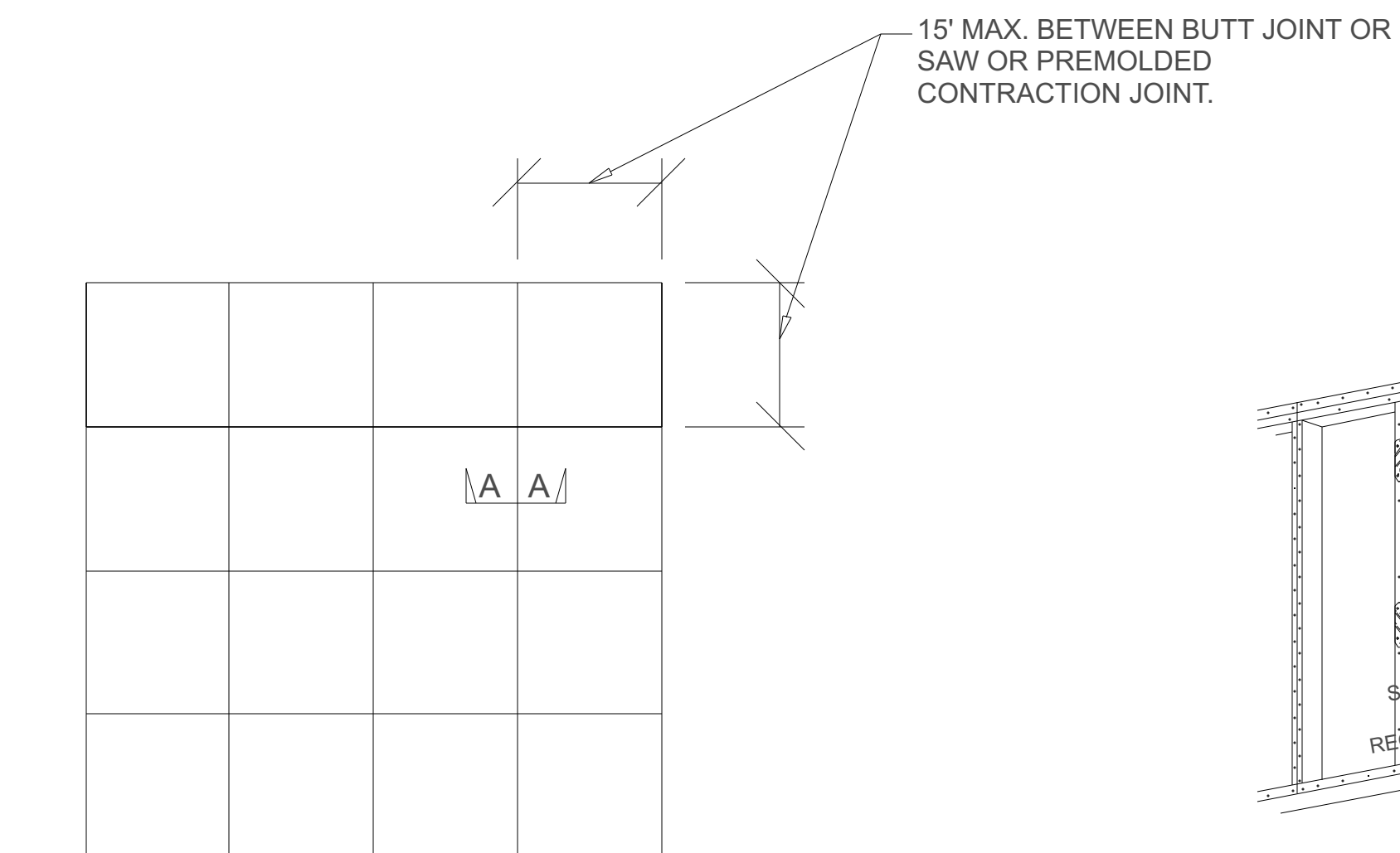
NOTE: PENETRATION IS THE DEPTH OF EMBEDMENT OF THE STAPLE OR NAIL INTO THE MAIN MEMBER REQUIRED TO ATTAIN ITS FULL CAPACITY (SHEAR VALUE) FOR LATERAL LOADING.

LINTEL

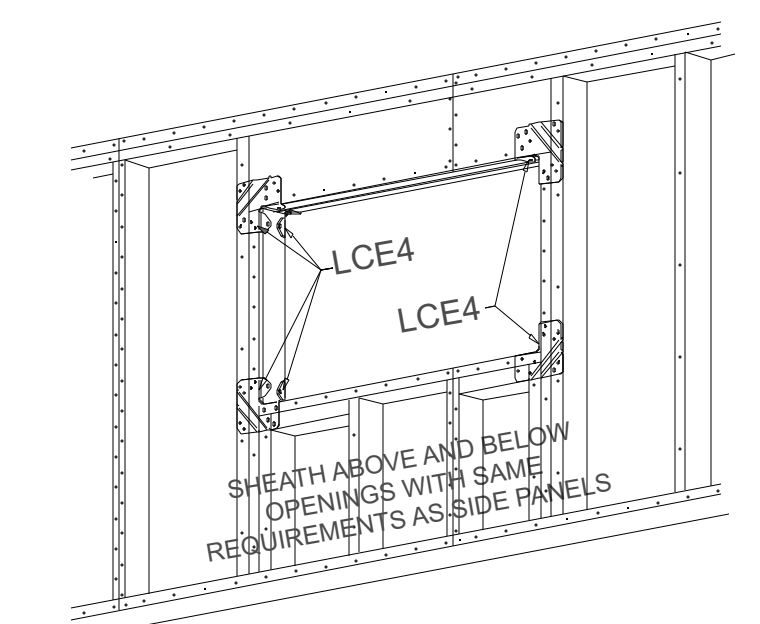
LINTELS CARRY MASONRY ONLY. WHERE FLOORS, ROOFS, OR CONCENTRATED LOADS OCCUR, FURTHER ANALYSIS IS NECESSARY. PROVIDE 1" OF BEARING EACH END FOR EACH FOOT OF SPAN. MINIMUM BEARING 6" EACH SIDE ON OPENING USE THIS SCHEDULE UNLESS NOTED OTHERWISE.
Min. 5 x 3 1/2 x 5/16 Steel Angle



HORIZONTAL SHEATHING LAYOUT



SLAB ON GRADE CONTROL JOINTS



LCE4 DETAIL
NOT TO SCALE

177 E ANTELOPE DR. #B
LAYTON, UT 84041
PHONE: (801) 392-4211
FAX: (801) 392-2941

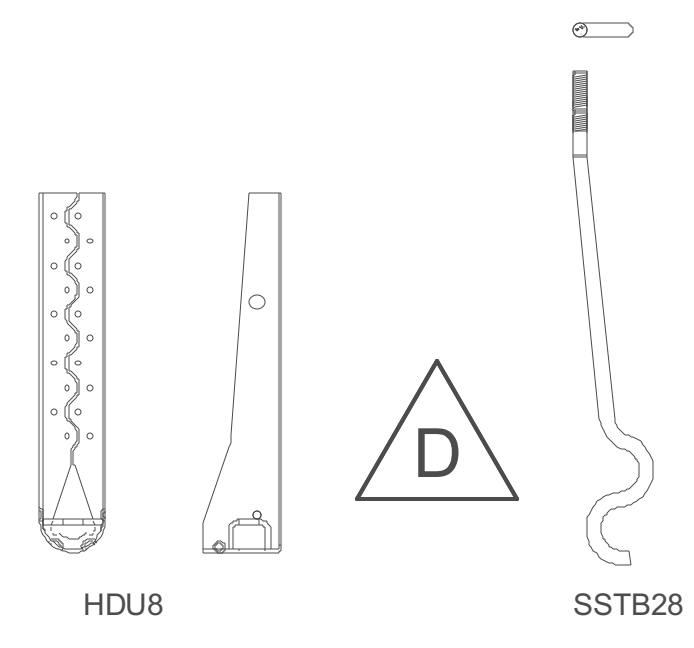
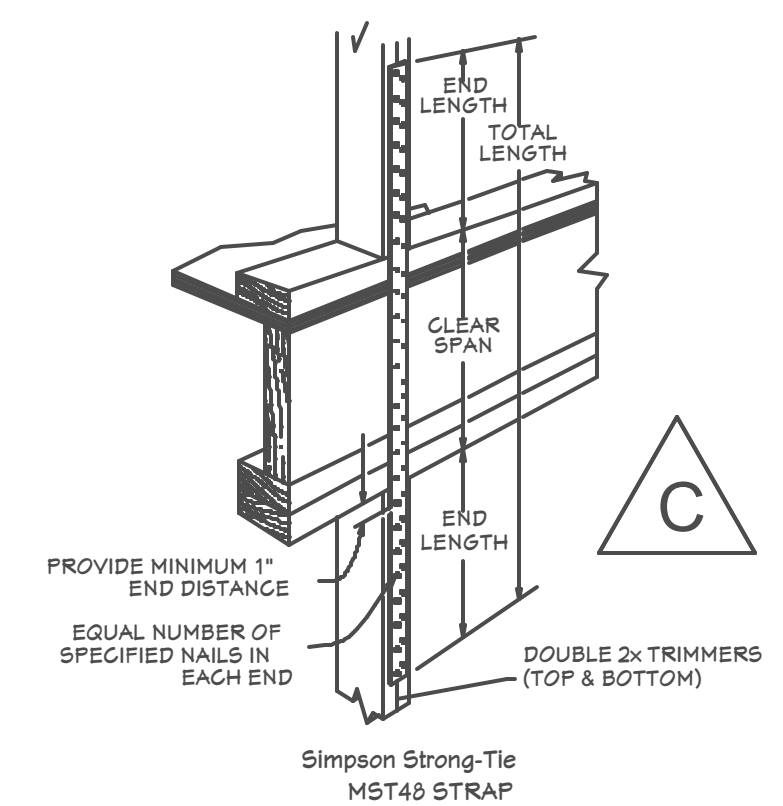
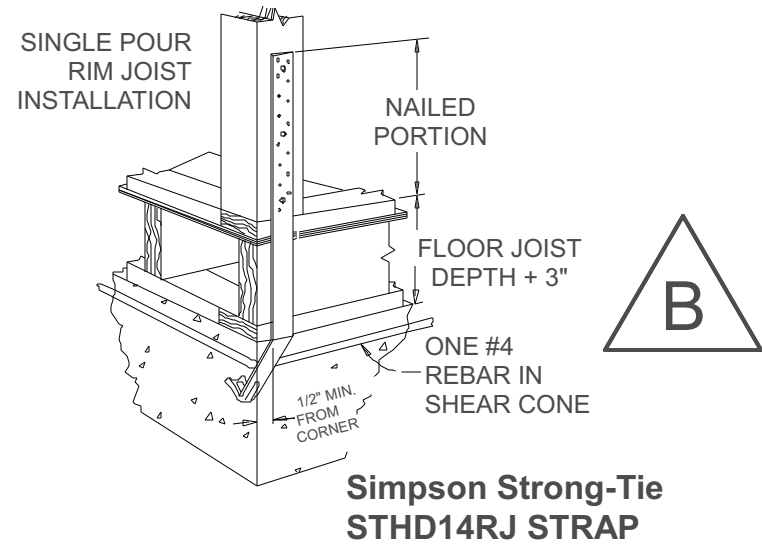
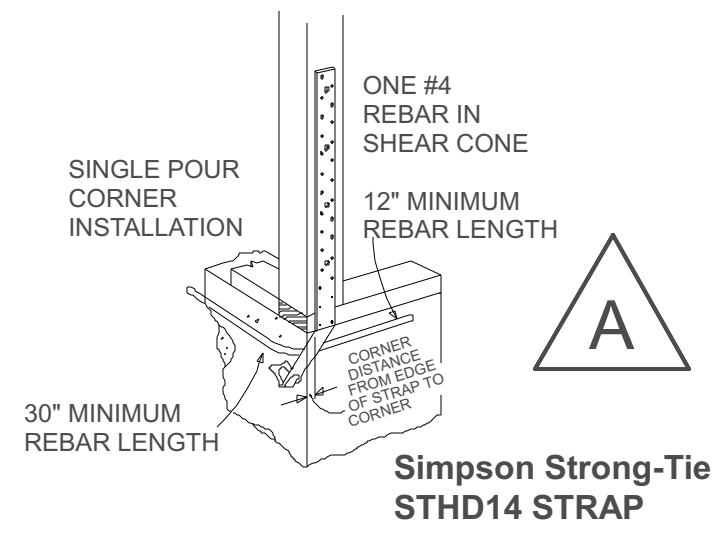
SILVERPEAK
ENGINEERING

Anderson Residence
Address: 5500 S, Victor, Idaho

Structural Notes

Issue Date:
3/9/2018

S1
No Scale



HOLDDOWN & STRAP SCHEDULE

Mark	Description
A	Simpson STHD14 Holddown
B	Simpson STHD14RJ Holddown
C	Simpson MST48 Strap
D	Simpson HDU8 w/SSTB28

1) ANCHOR ALL HOLDDOWNS THROUGH A MINIMUM OF (2) 2 x STUDS.
 2) THE FOUNDATION CONTRACTOR SHALL PLACE ALL HOLDDOWN STRAPS TO LINE UP WITH A CORNER, WINDOW OR DOOR JAMB STUD IN THE FRAMED WALL DIRECTLY ABOVE.

FOOTING SCHEDULE

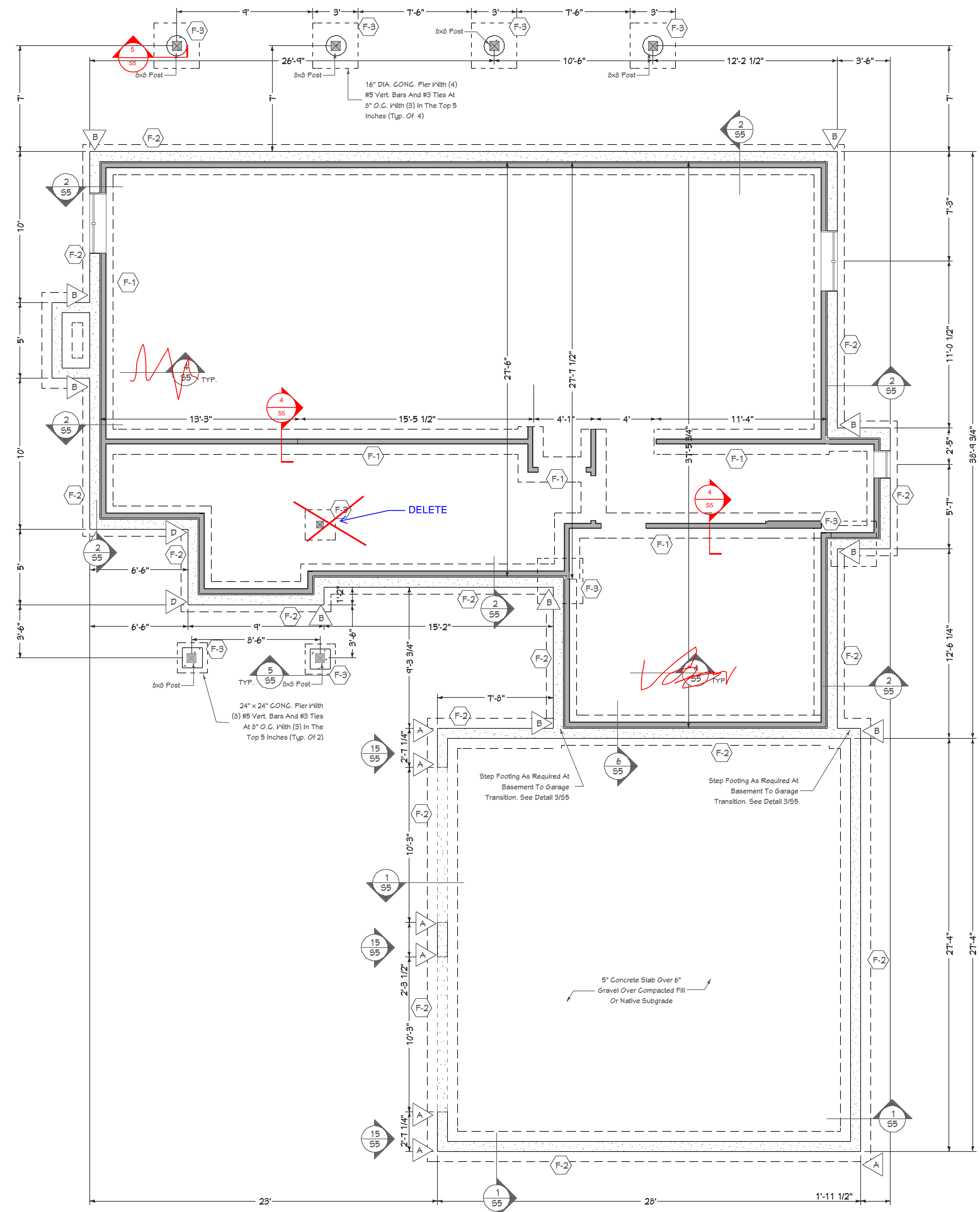
Mark	Width	Length	Thick	Crosswise Reinforcing			Lengthwise Reinforcing			Remarks		
				No.	Size	Lenght	Spac.	No.	Size		Lenght	Spac.
F-1	1'-8"	Cont.	10"	--	None	Req'd	--	2	#4	Cont.	Even	
F-2	2'-0"	Cont.	10"	--	None	Req'd	--	2	#4	Cont.	Even	
F-3	3'-0"	3'-0"	10"	3	#4	2'-6"	EVEN	3	#4	2'-6"	Even	

NOTES:
 1. PLACE ALL FOOTING REINFORCING 3" FROM BOTTOM OF FOOTING WITH 3" CLEAR ON SIDES UNLESS NOTED OTHERWISE

CONCRETE WALL SCHEDULE

WALL HEIGHT	TOP EDGE SUPPORT	MINIMUM THICKNESS	REINFORCING		STEEL AT OPENINGS	REMARKS
			VERTICAL	HORIZONTAL		
2'-0"	None	8"	#4 DOWELS @ 24" O.C.	2- #4 BARS	ABOVE:	
4'-0"		8"	#4 DOWELS @ 24" O.C.	4- #4 BARS	2- #4 BARS	
6'-0"	FLOOR OF ROOF DIAPHRAGM	8"	#4 DOWELS @ 24" O.C.	5- #4 BARS	EACH SIDE:	
8'-0"		8"	#4 DOWELS @ 24" O.C.	6- #4 BARS	1- #4 BAR	
9'-0"		8"	#4 DOWELS @ 16" O.C.	7- #4 BARS	BELOW:	1- #4 BAR

NOTES:
 1. FOR WALLS WITH ONE MAT OF STEEL, VERTICAL STEEL TO BE PLACED IN CENTER OF WALL AND EXTEND TO WITHIN THREE INCHES OF THE TOP OF THE WALL. DOWELS OF #4 BARS TO MATCH VERTICAL STEEL PLACEMENT SHALL BE PROVIDED IN THE FOOTING EXTENDING 24 INCHES INTO THE FOUNDATION WALL.
 2. ONE HORIZONTAL BAR SHALL BE LOCATED IN THE TOP 4", ONE BAR IN THE BOTTOM 4" AND THE OTHER BARS EQUALLY SPACED. CORNER REINFORCING SHALL BE PROVIDED SO AS TO LAP 24".
 3. BARS SHALL BE PLACED WITHIN 2" OF OPENINGS AND EXTEND 24" BEYOND THE EDGE OF THE OPENING. VERTICAL BARS MAY TERMINATE 3" FROM THE TOP OF THE CONCRETE.
 4. PLACE 1/2" x 10" ANCHOR BOLTS AT 32" O.C. IN TOP OF ALL WALLS TO RECEIVE SILL PLATES. CAST ANCHOR BOLTS A MINIMUM OF 7" INTO CONCRETE. USE 3"x3"x1/4" WASHERS ON ALL ANCHOR BOLTS. EACH WALL SEGMENT MUST HAVE 2 ANCHOR BOLTS MINIMUM.
 5. LINTEL DEPTH SHALL BE 2" FOR EACH FOOT OF OPENING WIDTH, MIN. 6".



Stamp:

Not
Approved
For
Construction
Without
Engineer
Stamp

SILVERPEAK
ENGINEERING
177 E ANTELOPE DR. #B
LAYTON, UT 84041
PHONE: (801) 392-4211
FAX: (801) 392-2941

Project:
Anderson Residence
Address: 5500 S, Victor, Idaho

Foundation Plan

Issue Date:
3/9/2018
S2
No Scale

Foundation Plan
(1/4" Scale)

1. USE SIMPSON A35 TIES 32" O.C. CANT JOISTS TO BEARING WALL PLATE
2. INSTALL JOIST HANGERS AS PER MANUFACTURE SPECIFICATIONS
3. DOUBLE CANT JOIST UNDER WINDOW AND DOOR TRIMMERS
4. INSTALL WEB STIFFENERS AS PER MANUF. SPECS.
5. ALL HEADERS OVER DOORS & WINDOWS ARE (2) 2x10 DF #2 U.N.O.

FLOOR BEAM SCHEDULE	
FB-1	(2) 9 1/2" MICROLAM
FB-2	(2) 11 7/8" MICROLAM
FB-3	(2) 14" MICROLAM
FB-4	(3) 11 7/8" MICROLAM
FB-5	(4) 14" MICROLAM
FB-6	3 1/8" x 12" MICROLAM (Min.)

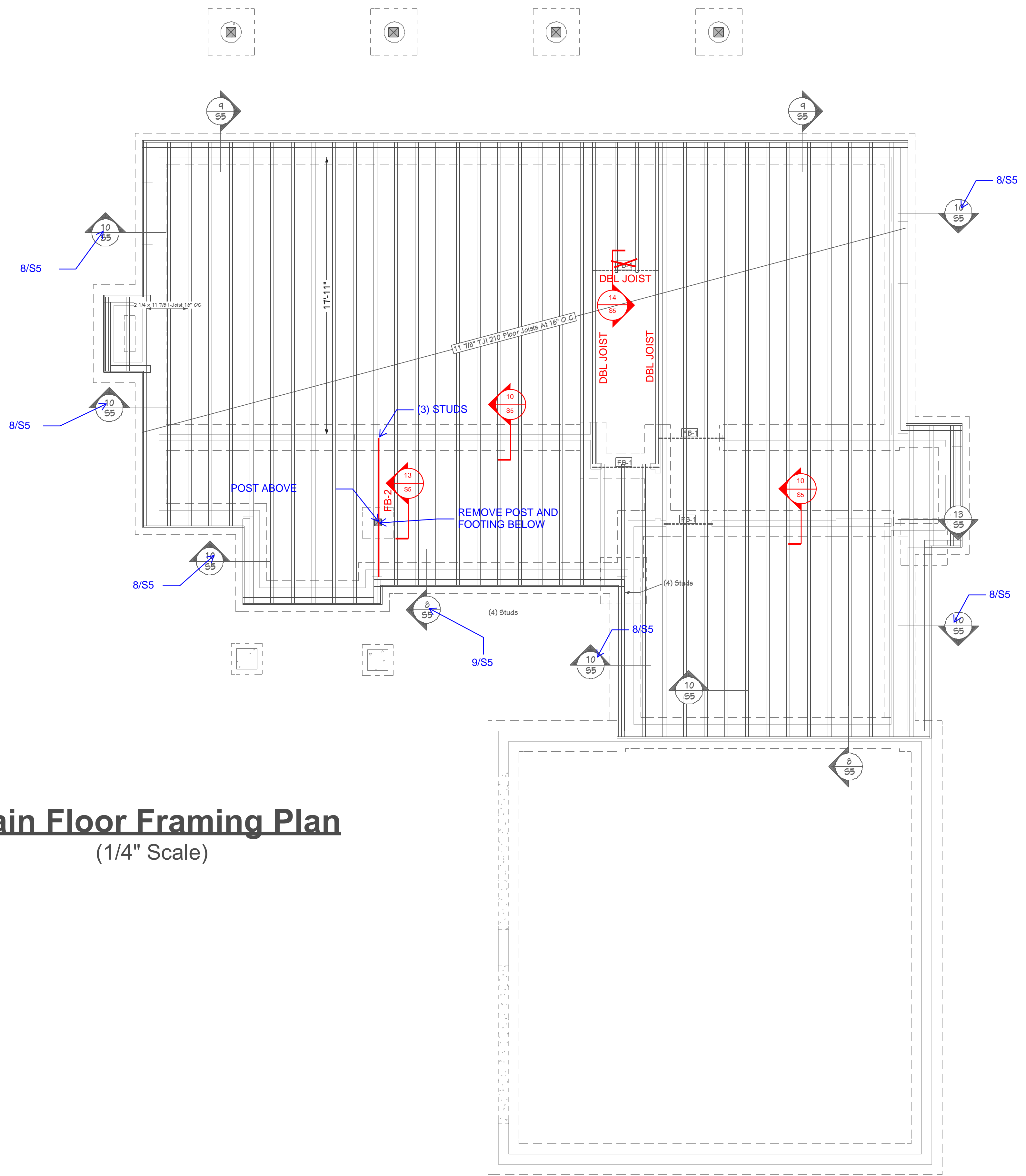
See Detail 7/S5 For Typical Beam Connections

FLOOR SHEATHING NOTES:

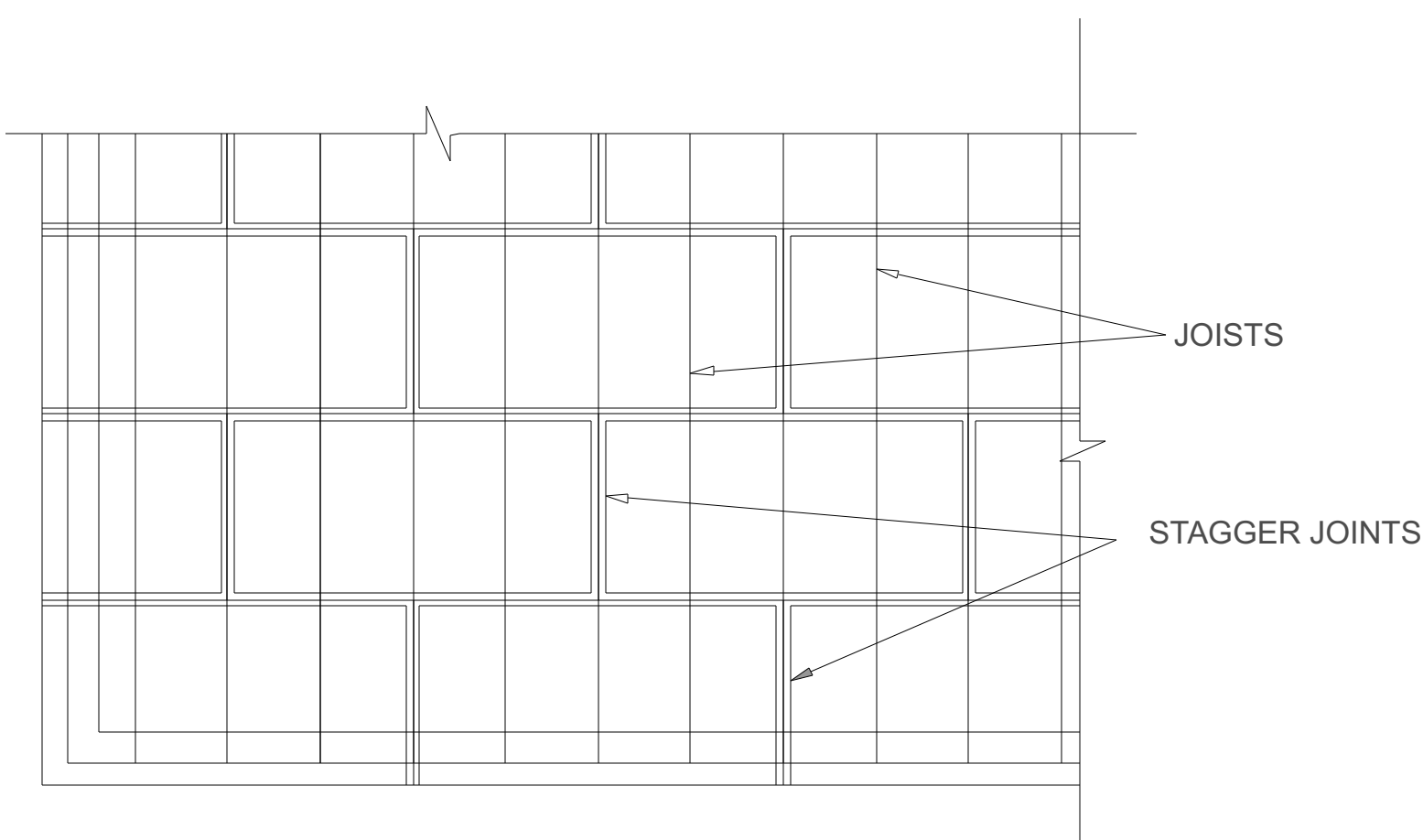
1. FLOOR SHEATHING SHALL BE 3/4" T&G WAFERBOARD GLUED & NAILED WITH 10d NAILS AT 6" O.C. AT ALL PANEL ENDS, SUPPORTED EDGES AND ALL BLOCKING; 10d AT 12" O.C. ALONG INTERMEDIATE FRAMING MEMBERS. GLUE WITH GLUE CONFORMING TO AFG-01 ACCORDING TO APA SPECIFICATIONS.
2. BLOCK JOISTS SOLID AT ALL BEARING POINTS.
3. ALL HEADERS OVER DOOR & WINDOWS ARE (2) 2" x 10" U.N.O.
4. PROVIDE SQUASH BLOCKING AT ALL POINT LOADS THROUGH FLOOR

GENERAL FRAMING NOTES:

1. USE DOUGLAS FIR-LARCH #2 AND BETTER FOR ALL SAWN LUMBER BEAMS & STRUCTURAL COLUMNS
2. USE 1.9E (MIN) LVL BEAMS
3. CONNECT 4 PLY AND GREATER LVL BEAMS WITH (2) ROWS 1/2" THRU BOLTS @ 12" O.C. (SEE MANUFACTURERS SPECIFICATIONS)
4. CARRY ALL COLUMN LOADS DOWN TO FOOTING OR FOUNDATION
5. PROVIDE SOLID BLOCKING OR SQUASH BLOCKS IN JOIST SPACE AT ALL COLUMN LOCATIONS



Main Floor Framing Plan
(1/4" Scale)



HORIZONTAL SHEATHING LAYOUT

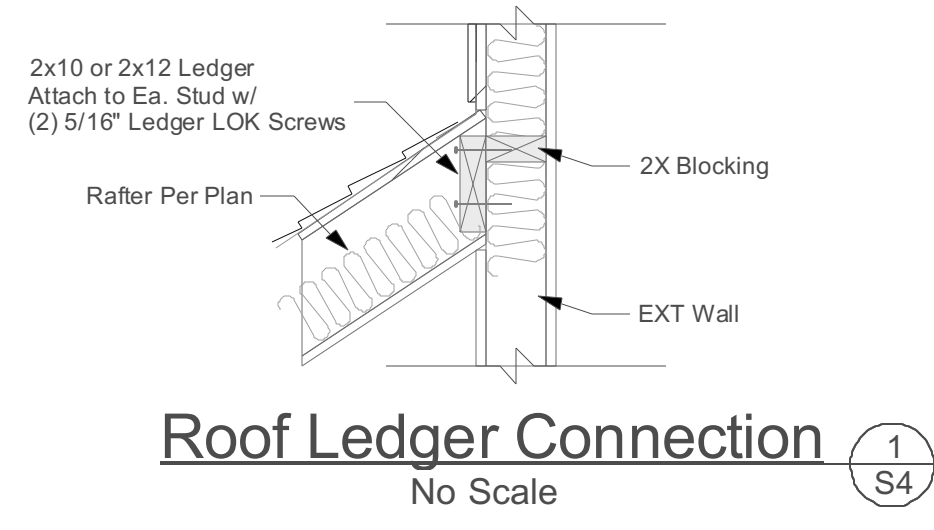
Project:

Issue Date:
3/9/2018

S3

No Scale

When Acceptable USE (2) ply 9-1/2" M.L. Door & Window Headers as The Builder preferred Option (no 2x10 headers)



GENERAL ROOF FRAMING NOTES

- USE DOUGLAS FIR-LARCH #2 AND BETTER FOR ALL SAWN LUMBER BEAMS & STRUCTURAL COLUMNS
- USE 1.9E (MIN) LVL BEAMS
- CONNECT 4 PLY AND GREATER LVL BEAMS WITH (2) ROWS 1/2" THRU BOLTS @ 12" O.C. (SEE MANUFACTURERS SPECIFICATIONS)
- CARRY ALL COLUMN LOADS DOWN TO FOOTING OR FOUNDATION
- PROVIDE SOLID BLOCKING OR SQUASH BLOCKS IN JOIST SPACE AT ALL COLUMN LOCATIONS
- CONNECT ALL TRUSSES PER TRUSS MANUFACTURER SPECIFICATIONS
- SHEATH ROOF PRIOR TO CONSTRUCTING OVERBUILDS> ROOF SHEATHING SHALL EXTEND BENEATH OVERBUILDS.
- PROVIDE (MIN) (#) 2x4 BUILT UP COLUMN TO SUPPORT ALL GIRDER TRUSS LOADS UNLESS NOTED OTHERWISE
- USE MIN. 2x6 OVERBUILD RAFTERS @ 24" O.C. - DO NOT SPAN RAFTERS MORE THAN 6'-0" AT OVERBUILDS
- ALL EXTERIOR HEADERS SHALL BE (2) 2X10) U.N.O.

ROOF BEAM SCHEDULE	
RB-1	(2) 9 1/2" MICROLAM
RB-2	(2) 11 7/8" MICROLAM
RB-3	(2) 14" MICROLAM
RB-4	8" x 10" DF#1 (Min.)

ROOF SHEATHING NOTES:

- ROOF SHEATHING SHALL BE 5/8" APA RATED SHEATHING W/SPAN RATING OF 32/16 NAILED WITH 8d NAILS AT 6" O.C. AT ALL PANEL ENDS, SUPPORTED EDGES, TOP OF SHEAR WALLS AND ALL BLOCKING; 8d NAILS AT 12" O.C. ALONG INTERMEDIATE FRAMING MEMBERS. PROVIDE 1/8" GAP BETWEEN ALL PANELS.
- BLOCK JOISTS SOLID AT ALL BEARING POINTS.

ROOF TRUSS NOTES:

- TRUSSES SHALL BE DESIGNED FOR 63 PSF LIVE LOAD.
- DESIGN TRUSSES TO LIMIT DEFLECTION TO SPAN (IN.) DIVIDED BY 240.
- CHECK DIMENSIONS WITH ARCH. DRAWINGS. TRUSS MANUFACTURER IS RESPONSIBLE TO PROVIDE WEB AND CHORD MEMBERS TO SATISFY LOAD REQUIREMENTS.
- TRUSS MANUFACTURER SHALL SUBMIT CALCULATIONS AND SHOP DRAWINGS FOR APPROVAL BY ENGINEER.

DESIGN CRITERIA:

GOVERNING CODE2012 IBC
SEISMIC MAPPED ACCELERATION180
I =	1.00
R =	6
Sds =	1.17g
BASIC WIND SPEED 115 MPH EXPOSURE C
I =	1.00
ROOF DEAD LOAD 15 PSF
LIVE LOAD 63 PSF
FLOOR DEAD LOAD 15 PSF
LIVE LOAD 40 PSF
SOIL BEARING PRESSURE 1500 PSF (ASSUMED)

*** STANDARD OCCUPANCY ***

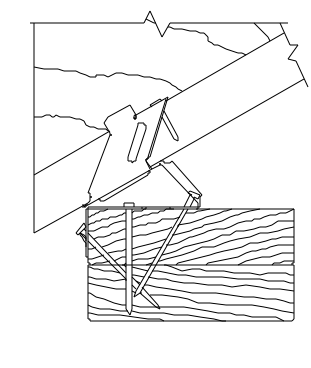
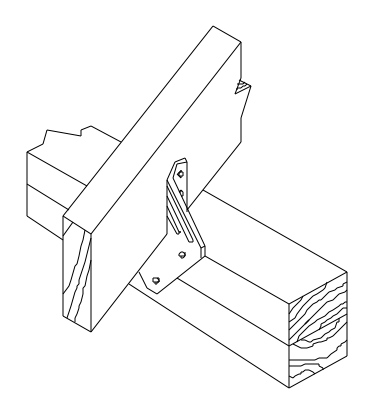
SHEARWALL NOTES

- ALL EXTERIOR WALLS SHALL BE SHEATHED AND NAILED WITH 7/16" APA RATED OSB SHEATHING OR PER SHEARWALL SCHEDULE.
- SHEATHING SHALL EXTEND CONTINUOUS FROM SILL PLATE TO TOP PLATE OF UPPER WALL AND BE NAILED PER SHEARWALL SCHEDULE.
- NAILS SHALL BE PLACED NOT LESS THAN 1/2" FROM EDGE OF PANEL AND DRIVEN SO THAT THEIR HEAD OR CROWN IS FLUSH WITH THE SURFACE OF THE SHEATHING.
- ALL EXTERIOR WALLS ARE TO BE NAILED AS SW-1 UNLESS NOTED OTHERWISE.
- AT LEAST (2) OF THE GARAGE RETURNS MUST BE SHEARWALLS. MINIMUM GARAGE RETURN SHEARWALL IS 2'-0".
- ALL ANCHORS ARE SIMPSON STRONG-TIE OR EQUIVALENT.
- INSTALL HOLDDOWNS AND STRAPS PER MANUFACTURER'S SPECIFICATIONS.
- ALL HOLDDOWNS AND STRAPS MUST BE CONNECTED TO AT LEAST (2) FULL-LENGTH STUDS.

SHEARWALL SCHEDULE

MARK	SHEATHING	NAILING REQUIREMENTS		ANCHOR BOLTS		SILL PLATE	NOTES
		EDGE	FIELD	DIAMETER	SPACING		
SW-1	7/16" OSB ONE SIDE	8d @ 6" o.c.	8d @ 12" o.c.	1/2"	32" O.C.	2x	1,2,3,4,5
SW-2	7/16" OSB ONE SIDE	8d @ 4" o.c.	8d @ 12" o.c.	1/2"	32" O.C.		1,2,3,4,5
SW-3	7/16" OSB ONE SIDE	8d @ 3" o.c.	8d @ 12" o.c.	1/2"	32" O.C.	2x	1,2,3,4,5,6
SW-4	7/16" OSB BOTH SIDES	8d @ 4" o.c.	8d @ 12" o.c.	5/8"	16" O.C.		1,2,3,4,5,6,7

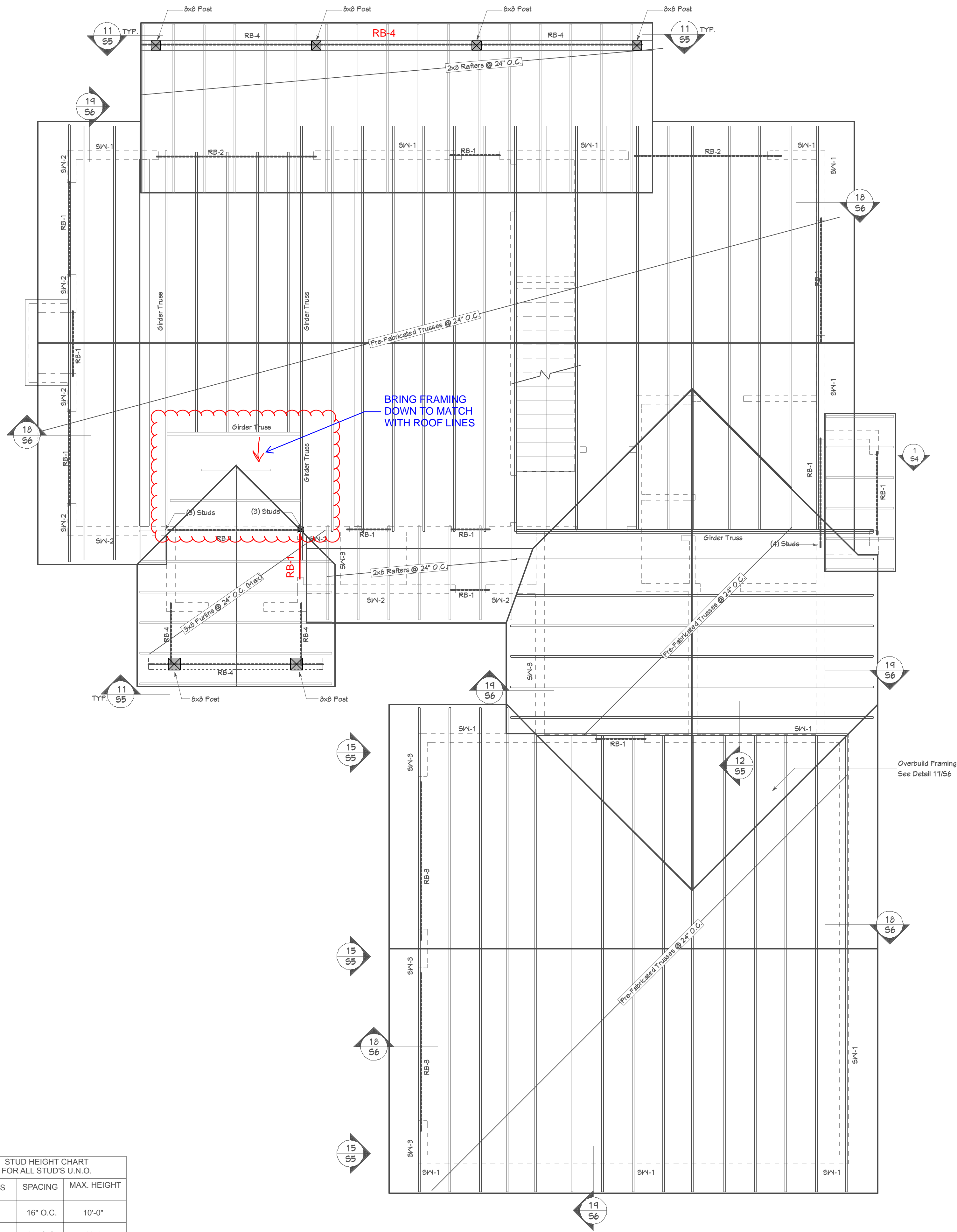
- NOTES:
- APPLY 7/16" APA OSB OVER DOUGLAS FIR OR SOUTHERN PINE FRAMING SPACED @ 16" O.C.
 - NAIL OR STAPLE SHEATHING ALONG INTERMEDIATE STUDS @ 12" O.C.
 - BLOCK ALL PANEL EDGES
 - PROVIDE 3" x 3" x 1/4" PLATE WASHERS ON ANCHOR BOLTS (Typical)
 - ALL SHEATHING SHALL EXTEND CONTINUOUS FROM SILL PLATE TO ROOF OR FLOOR SHEATHING.
 - FRAMING AT ADJOINING PANELS SHALL BE 3" NOMINAL OR (2) 2x NAILED TOGETHER WITH (2) ROWS OF 16d COMMON NAILS @ 12" O.C.
 - OFFSET PANEL JOINTS TO AVOID SPLITTING THE STUDS.
 - INSTALL SIMPSON LCE4 CONNECTORS ON EACH CORNER OF WINDOWS NOTED AS (LCE4)



ROOF JOIST CONNECTIONS
NOT TO SCALE

STUD HEIGHT CHART FOR ALL STUD'S U.N.O.		
STUDS	SPACING	MAX. HEIGHT
2x4	16" O.C.	10'-0"
2x4	12" O.C.	11'-6"
2x6	16" O.C.	16'-0"
2x6	12" O.C.	18'-0"
5 1/2" LVL 2X6 T.S.	16" O.C.	20'-0"

T.S. = TIMBERSTRAND



NOTES:

- USE DOUGLAS FIR-LARCH #2 AND BETTER FOR ALL SAWN LUMBER BEAMS & STRUCTURAL COLUMNS
- USE 1.9E (MIN) LVL BEAMS
- CONNECT 4 PLY AND GREATER LVL BEAMS WITH (2) ROWS 1/2" THRU BOLTS @ 12" O.C. (SEE MANUFACTURERS SPECIFICATIONS)
- CARRY ALL COLUMN LOADS DOWN TO FOOTING OR FOUNDATION WALL
- PROVIDE SOLID BLOCKING OR SQUASH BLOCKS IN JOIST SPACE AT ALL COLUMN LOCATIONS
- CONNECT ALL TRUSSES PER TRUSS MANUFACTURERS SPECIFICATIONS
- SHEATH ROOF PRIOR TO CONSTRUCTING OVERBUILDS. ROOF SHEATHING SHALL EXTEND BENEATH ALL OVERBUILDS
- PROVIDE (MIN) (3) 2X4 BUILT UP COLUMN TO SUPPORT ALL GIRDER TRUSS LOADS UNLESS NOTED OTHERWISE
- USE MIN. 2x6 OVERBUILD RAFTERS @ 24" O.C. - DO NOT SPAN RAFTERS MORE THAN 6'-0" AT OVERBUILDS.

177 E ANTELOPE DR. #B
LAYTON, UT 84041
PHONE: (801) 392-4211
FAX: (801) 392-2941

SILVERPEAK
ENGINEERING

Anderson Residence
Address: 5500 S, Victor, Idaho

Project:

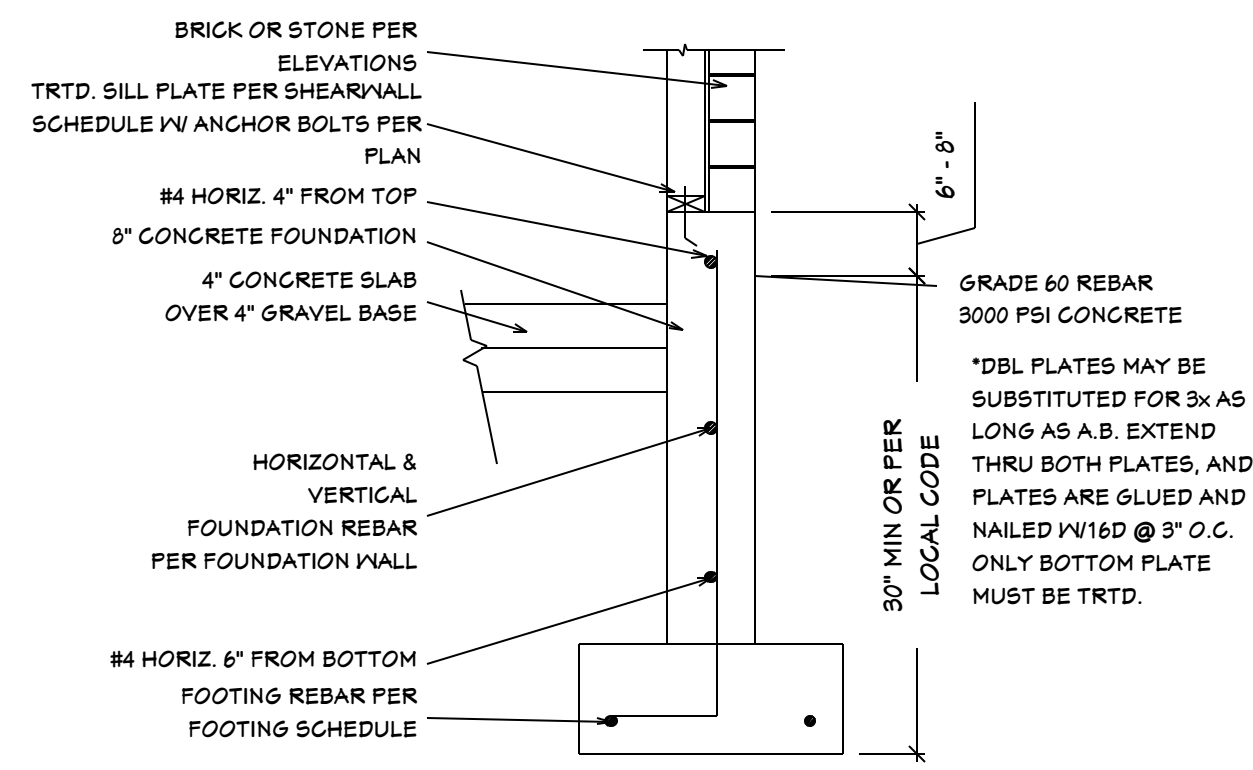
Roof Framing Plan

Issue Date:

3/9/2018

S4

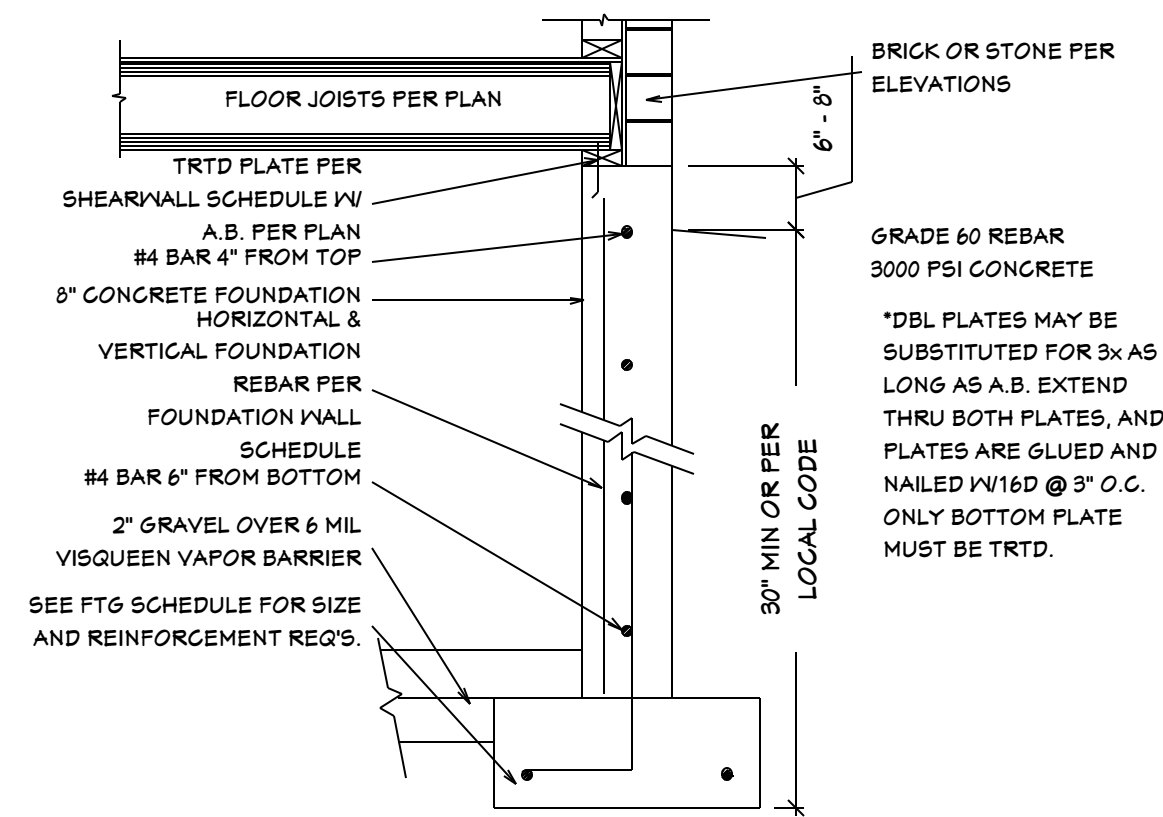
No Scale



GARAGE FOUNDATION DETAIL

NOT TO SCALE

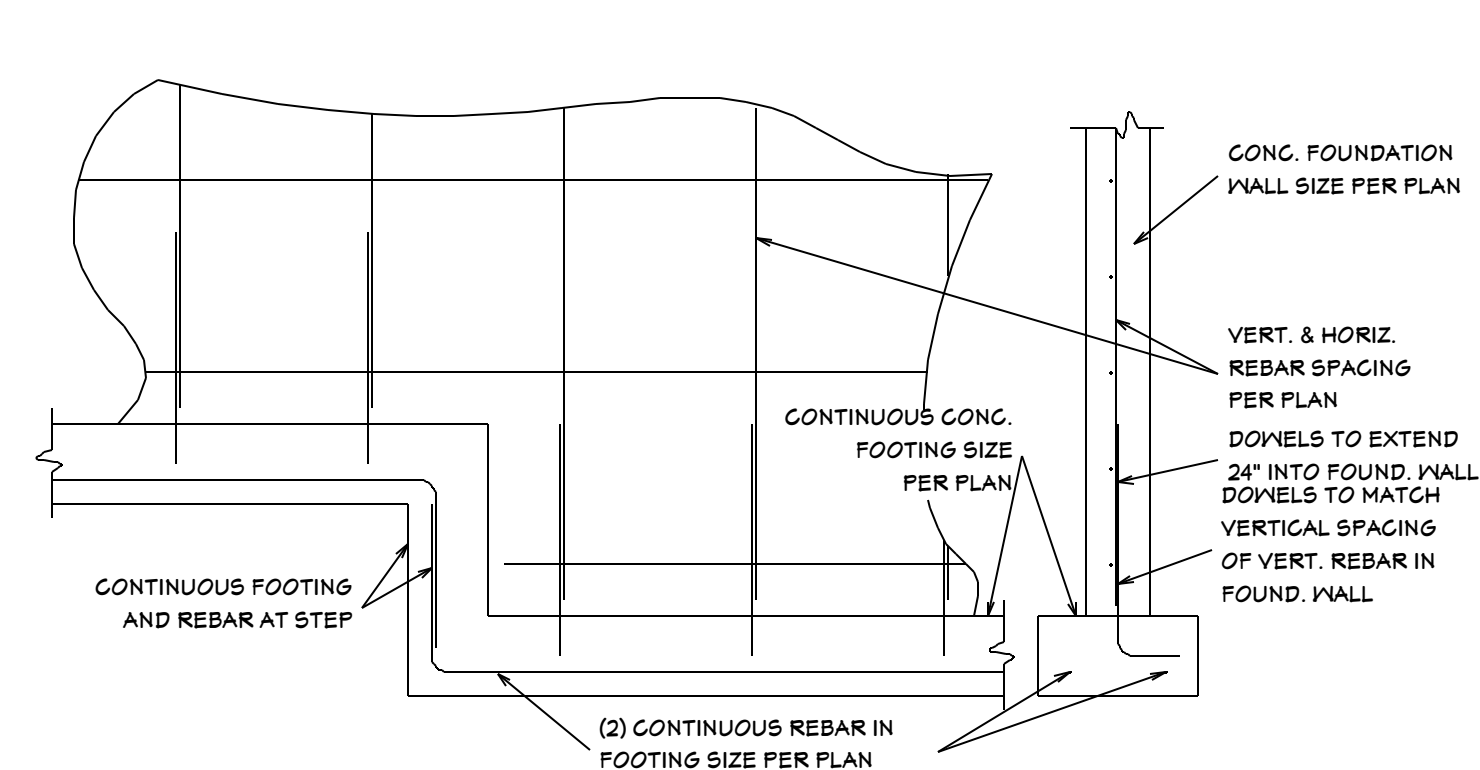
1
S5



HOUSE FOUNDATION DETAIL

NOT TO SCALE

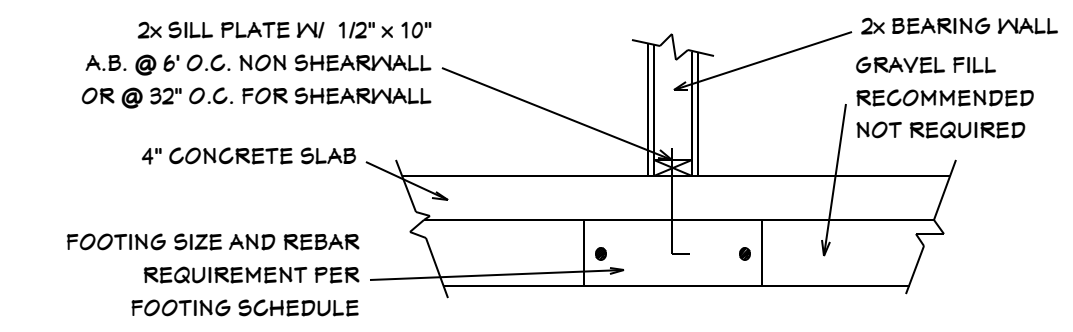
2
S5



FOOTING STEP DETAIL

NOT TO SCALE

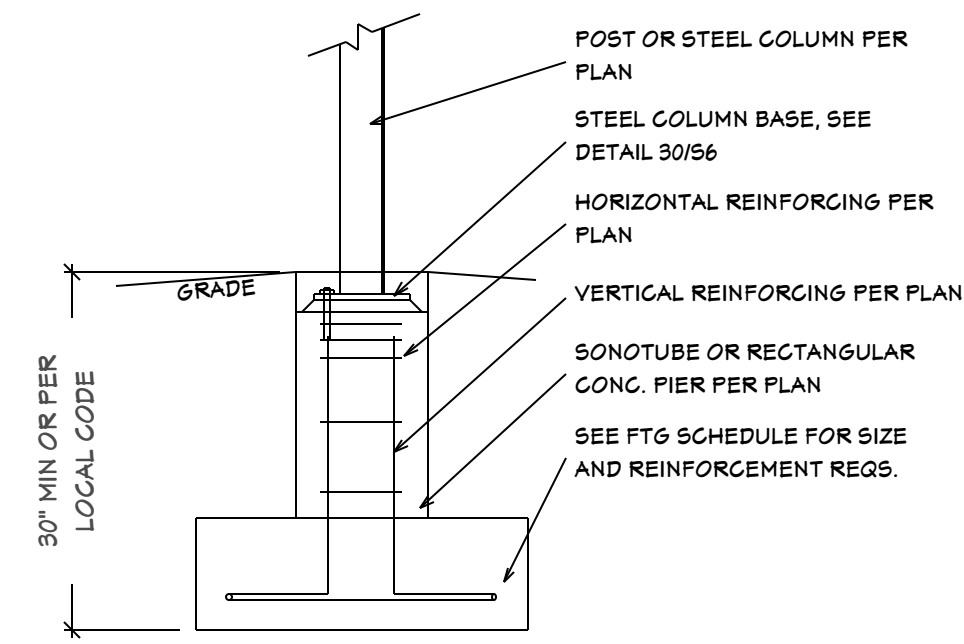
3
S5



INTERIOR FOOTING DETAIL

NOT TO SCALE

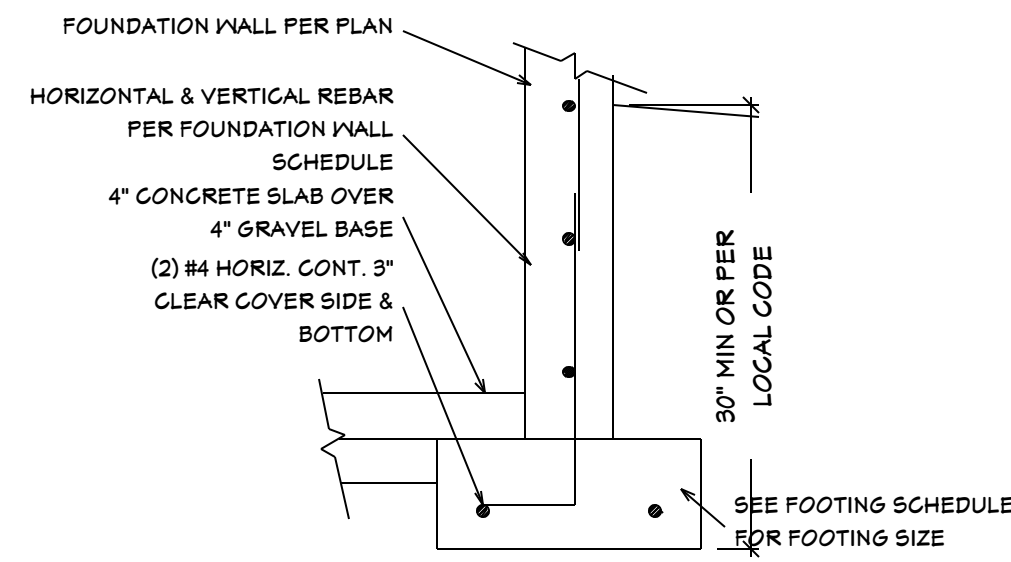
4
S5



PIER DETAIL

NOT TO SCALE

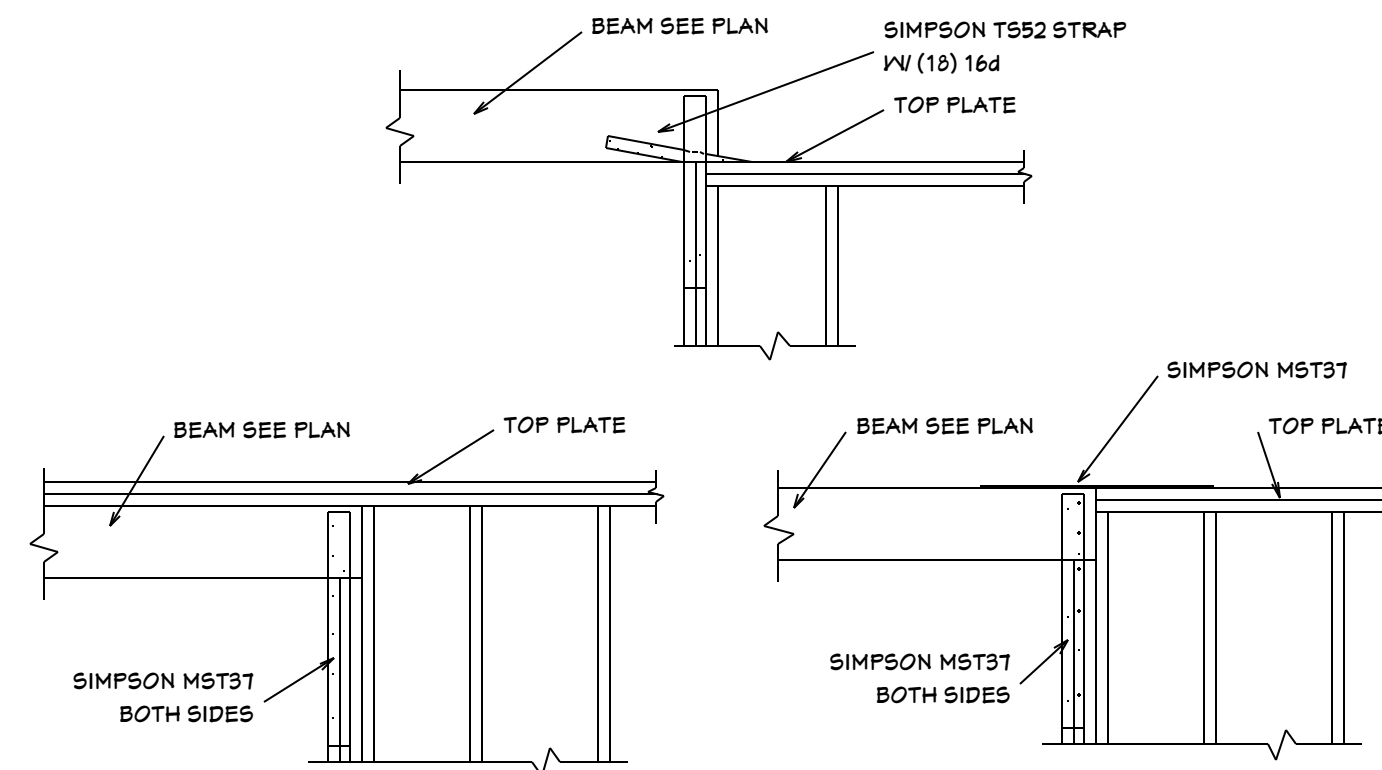
5
S5



TYPICAL BASEMENT FOUNDATION DETAIL

NOT TO SCALE

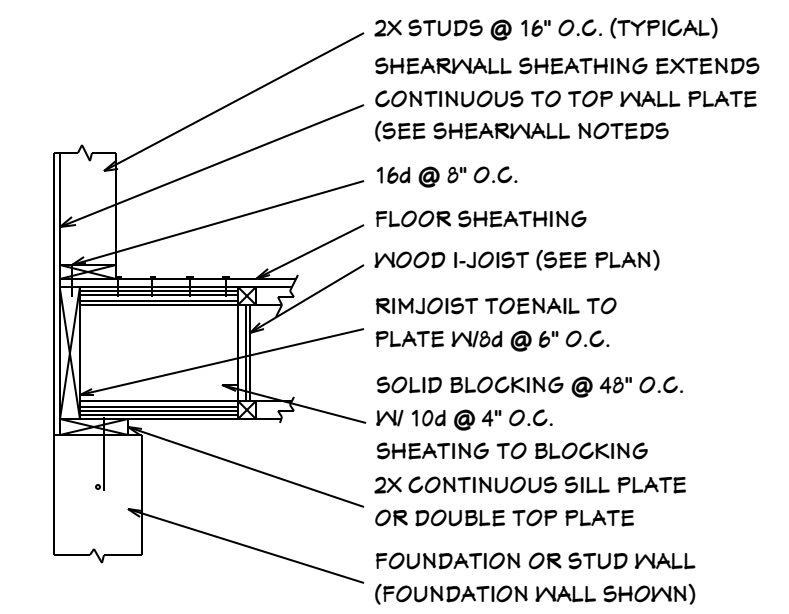
6
S5



BEAM CONNECTIONS

NOT TO SCALE

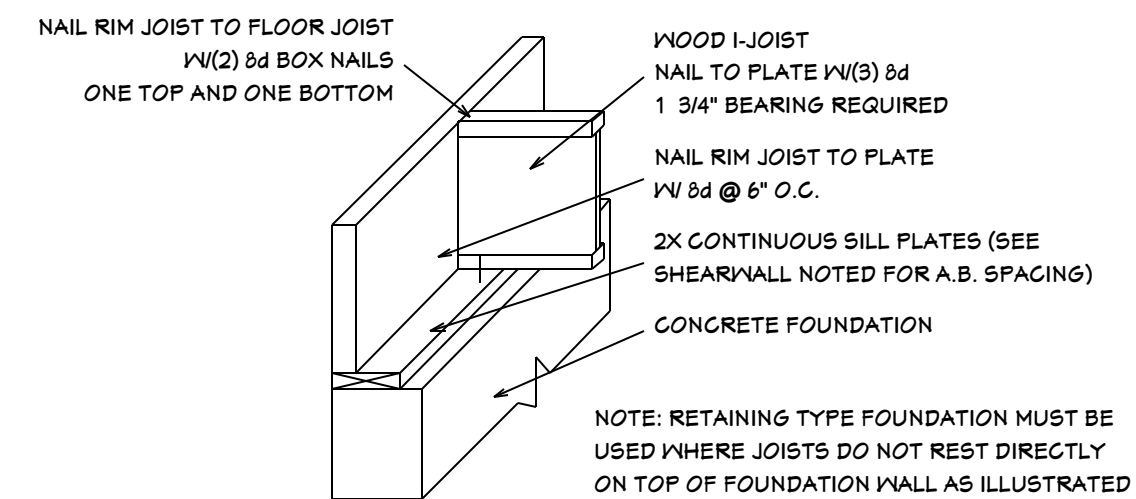
7
S5



WOOD I-JOIST DETAIL

NOT TO SCALE

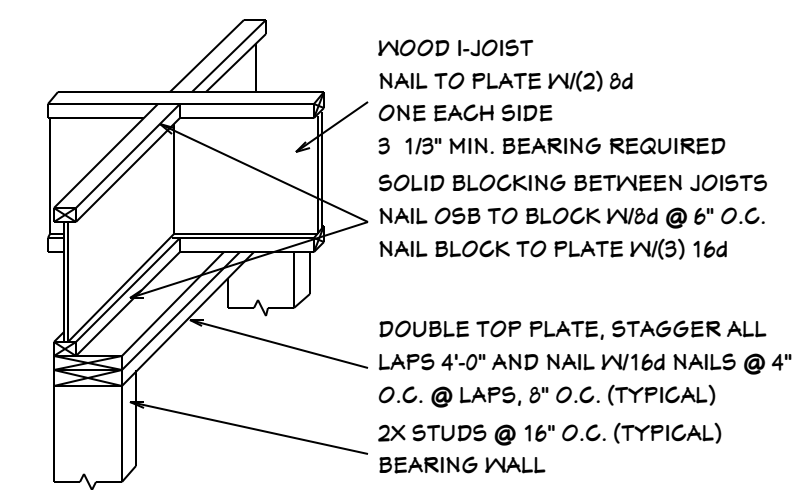
8
S5



WOOD I-JOIST DETAIL

NOT TO SCALE

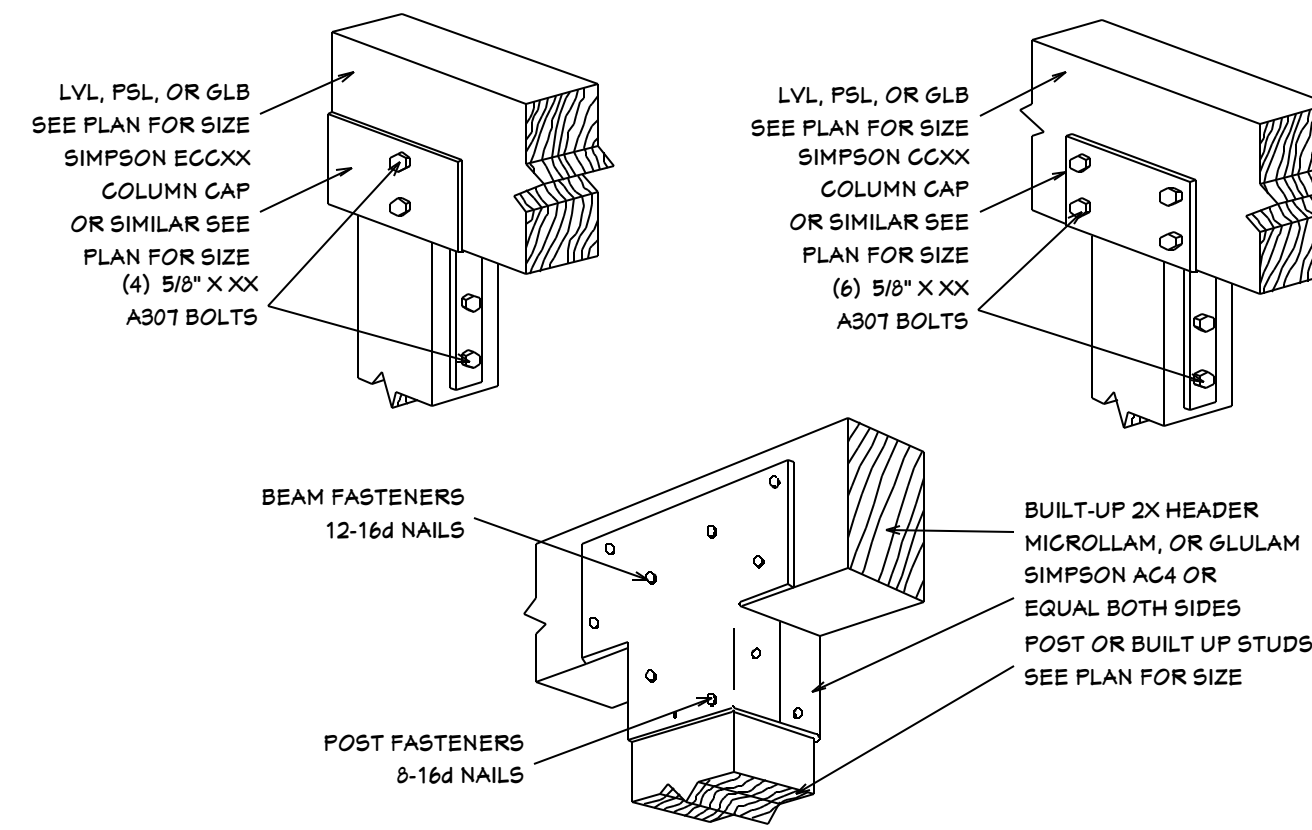
9
S5



WOOD I-JOIST DETAIL

NOT TO SCALE

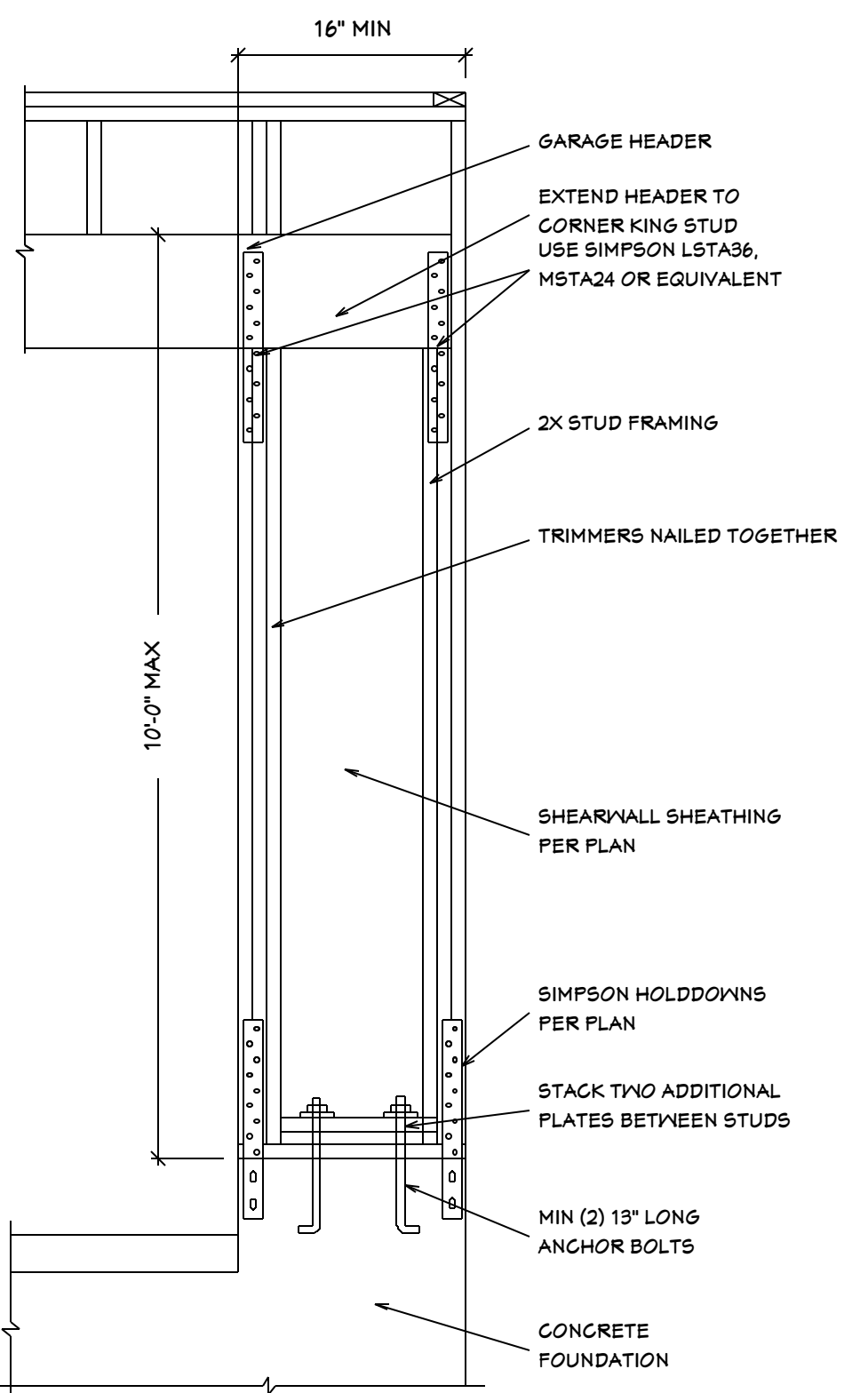
10
S5



TYPICAL BEAM CONNECTION DETAIL

NOT TO SCALE

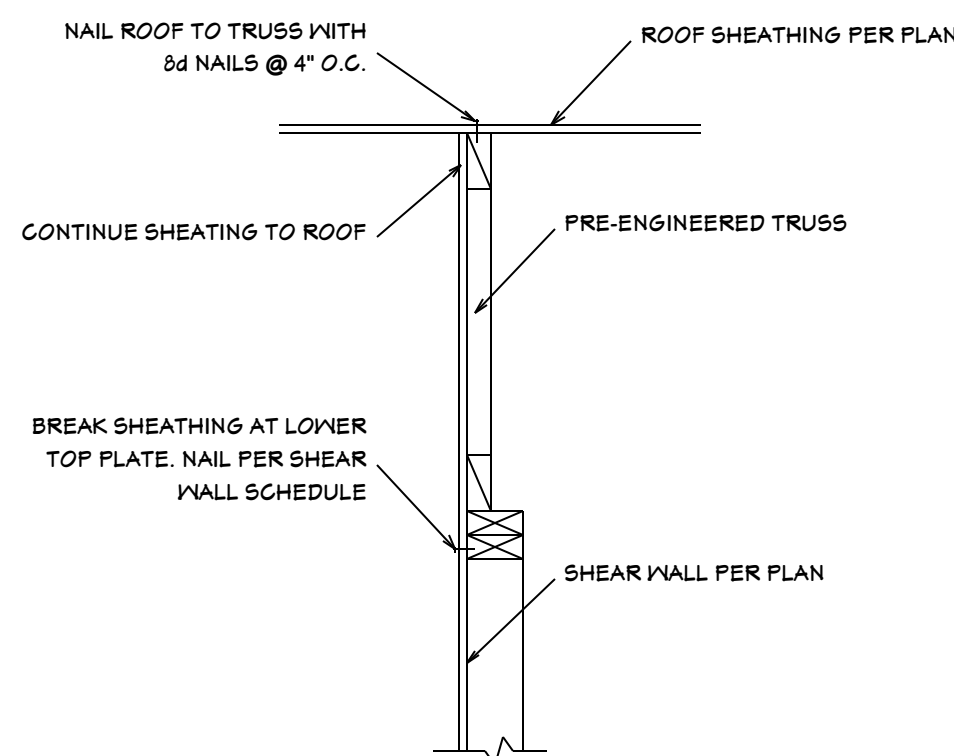
11
S5



GARAGE RETURN DETAIL

NOT TO SCALE

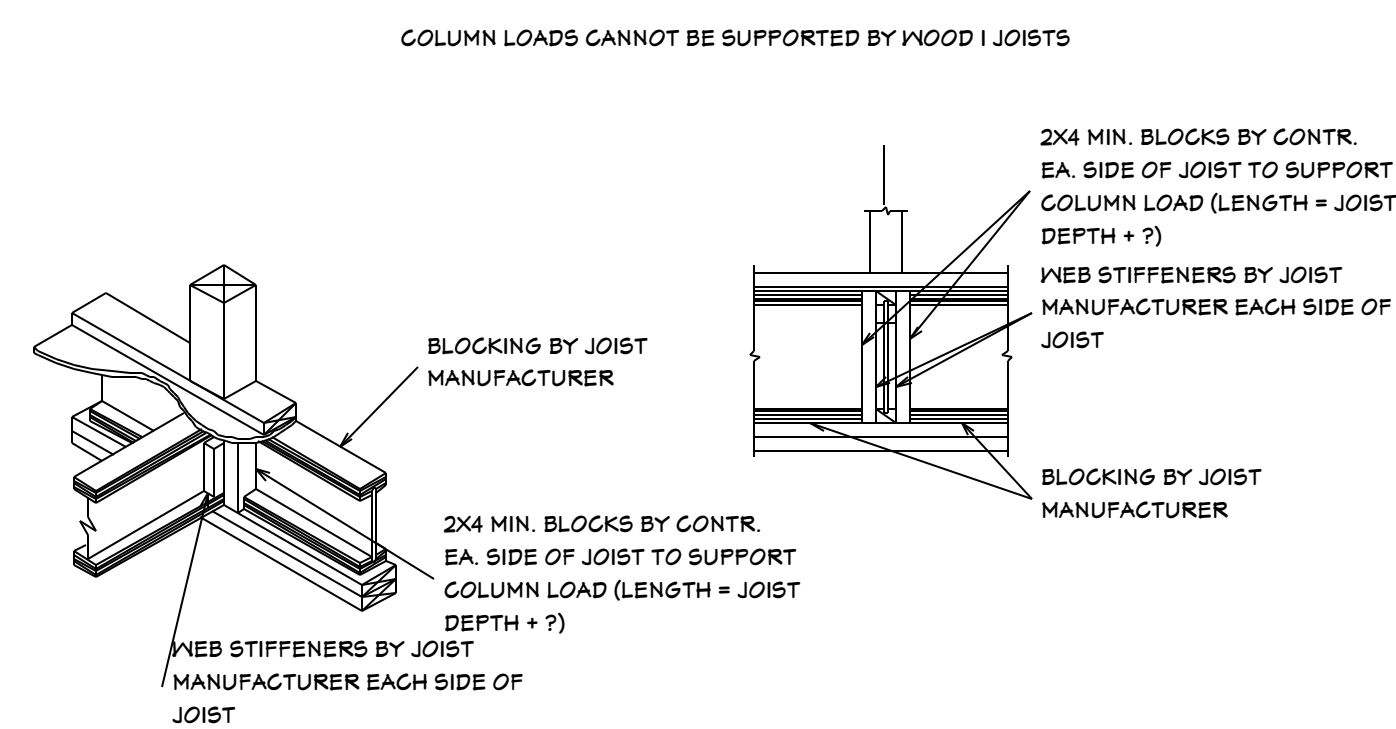
15
S5



INTERIOR SHEAR WALL CONNECTION

NOT TO SCALE

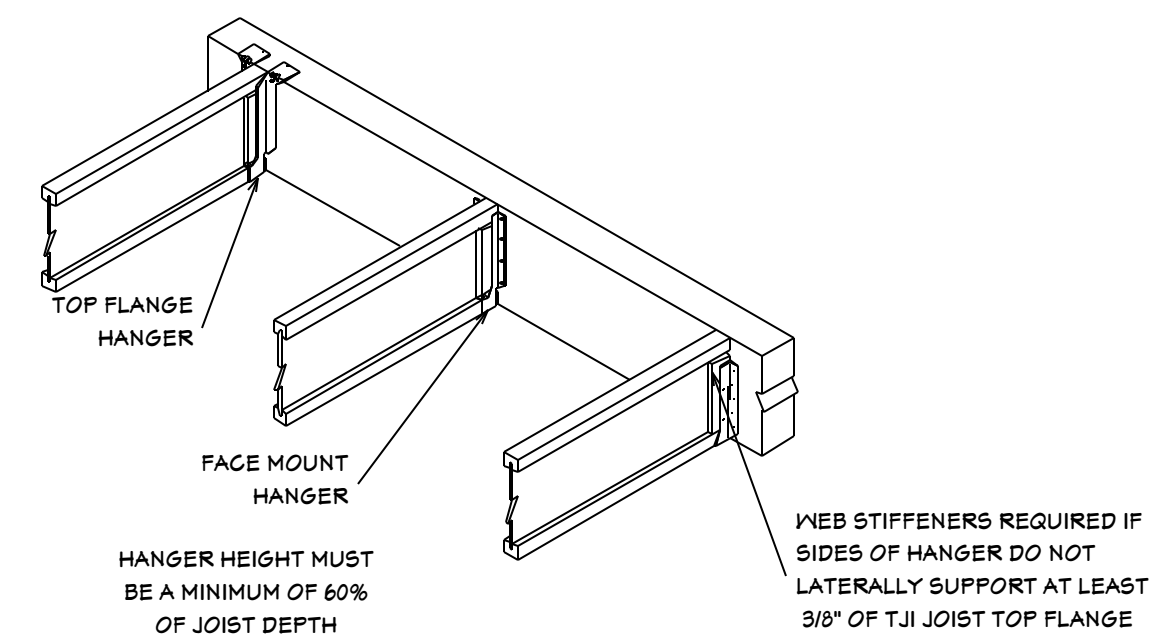
12
S5



SOLID BLOCKING DETAIL

NOT TO SCALE

13
S5



FLUSH BEAM CONNECTION DETAIL

NOT TO SCALE

14
S5

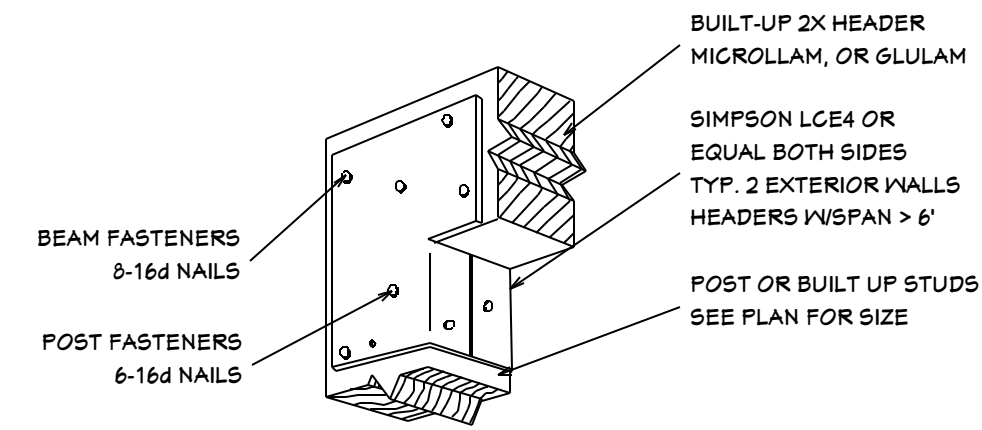
177 E ANTELOPE DR. #B
LAYTON, UT 84041
PHONE: (801) 392-4211
FAX: (801) 392-2941

SILVERPEAK
ENGINEERING

Anderson Residence
Address: 5500 S, Victor, Idaho

Structural
Details

Issue Date:
3/9/2018
S5
No Scale

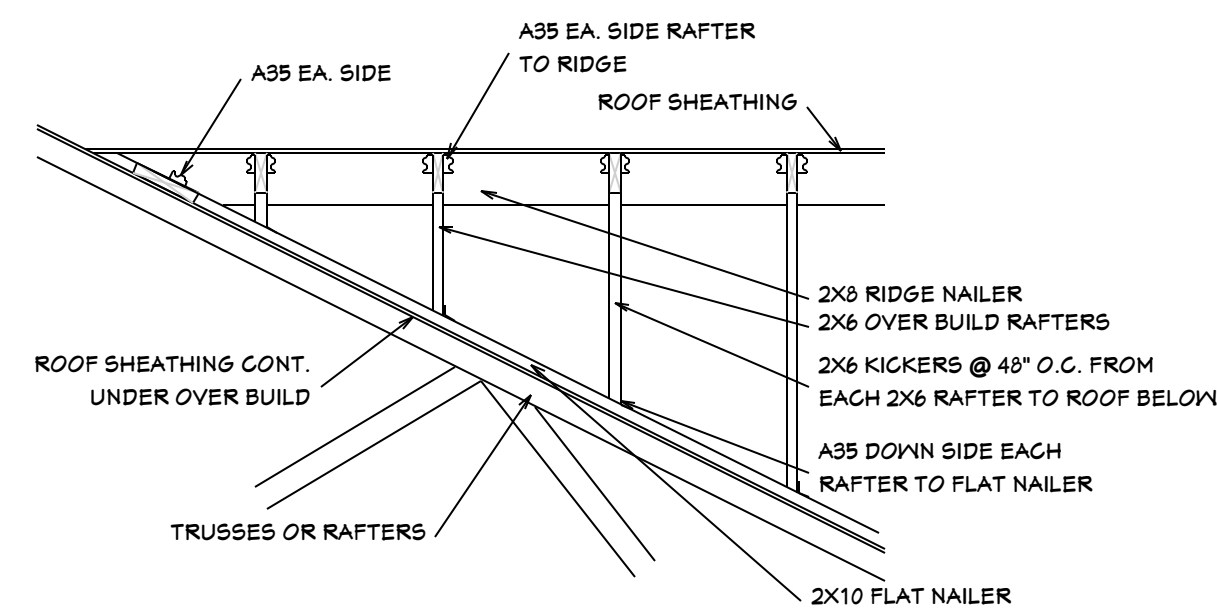


TYPICAL GREATER 6' HEADER DETAIL

NOT TO SCALE

16

S6



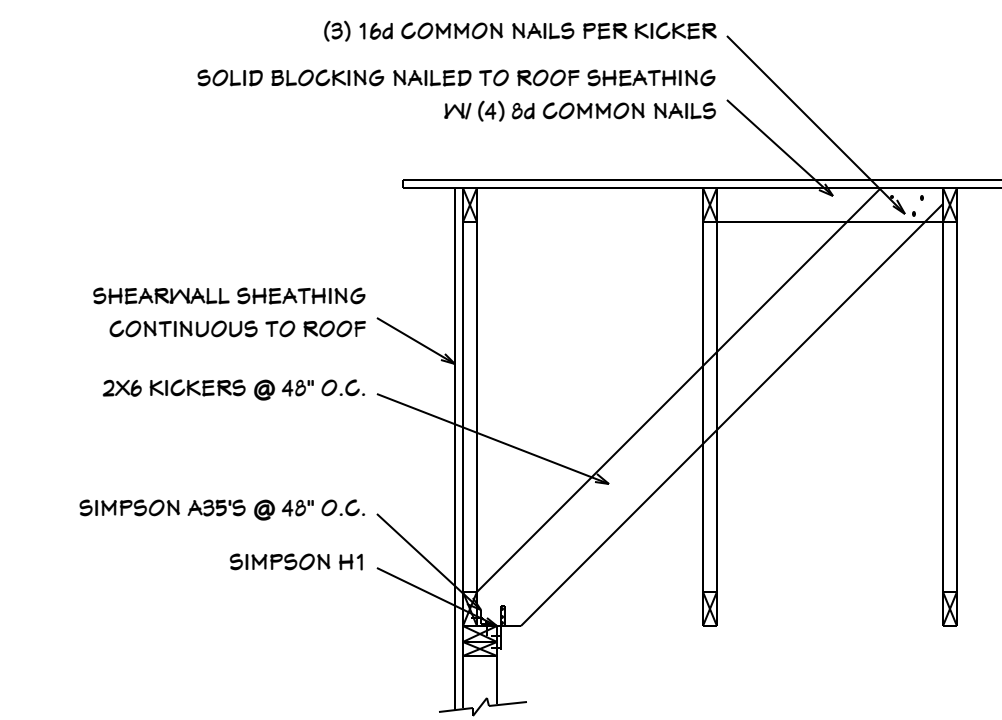
OVERBUILD NOTE:
OVERBUILDS SHALL BE CONSTRUCTED BY SHEATHING THE LOWER ROOF THEN NAILING A 2X10 FLAT WITH (2) 16d NAILS @ 24" O.C. IN THE VALLEY OF THE OVERBUILD. THE OVERBUILD SHALL THEN BE FRAMED ON THE 2X10 USING 2X6 ROOF JOISTS @ 24" O.C. AND WITH 2X6 KICKERS AT 4'-0" O.C. FROM EACH 2X6 ROOF JOIST DOWN TO THE TRUSSES OR ROOF JOISTS BELOW.

OVERBUILD DETAIL

NOT TO SCALE

17

S6

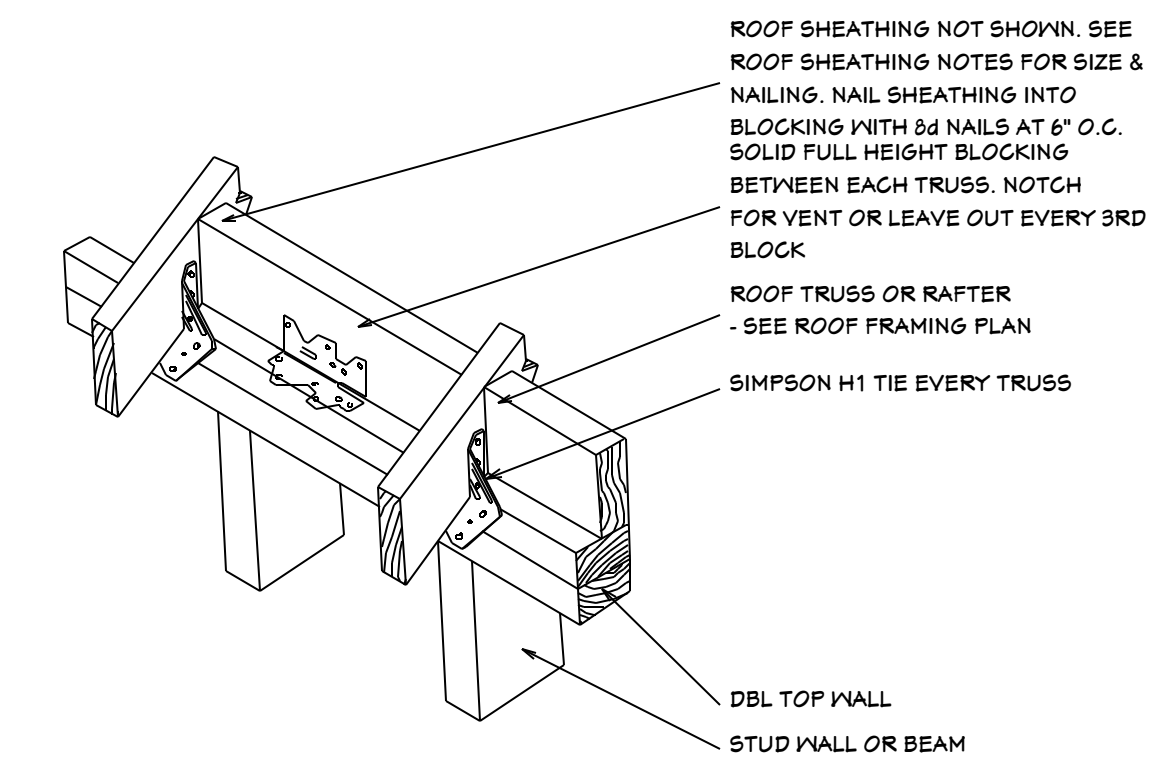


GABLE END DETAIL

NOT TO SCALE

18

S6

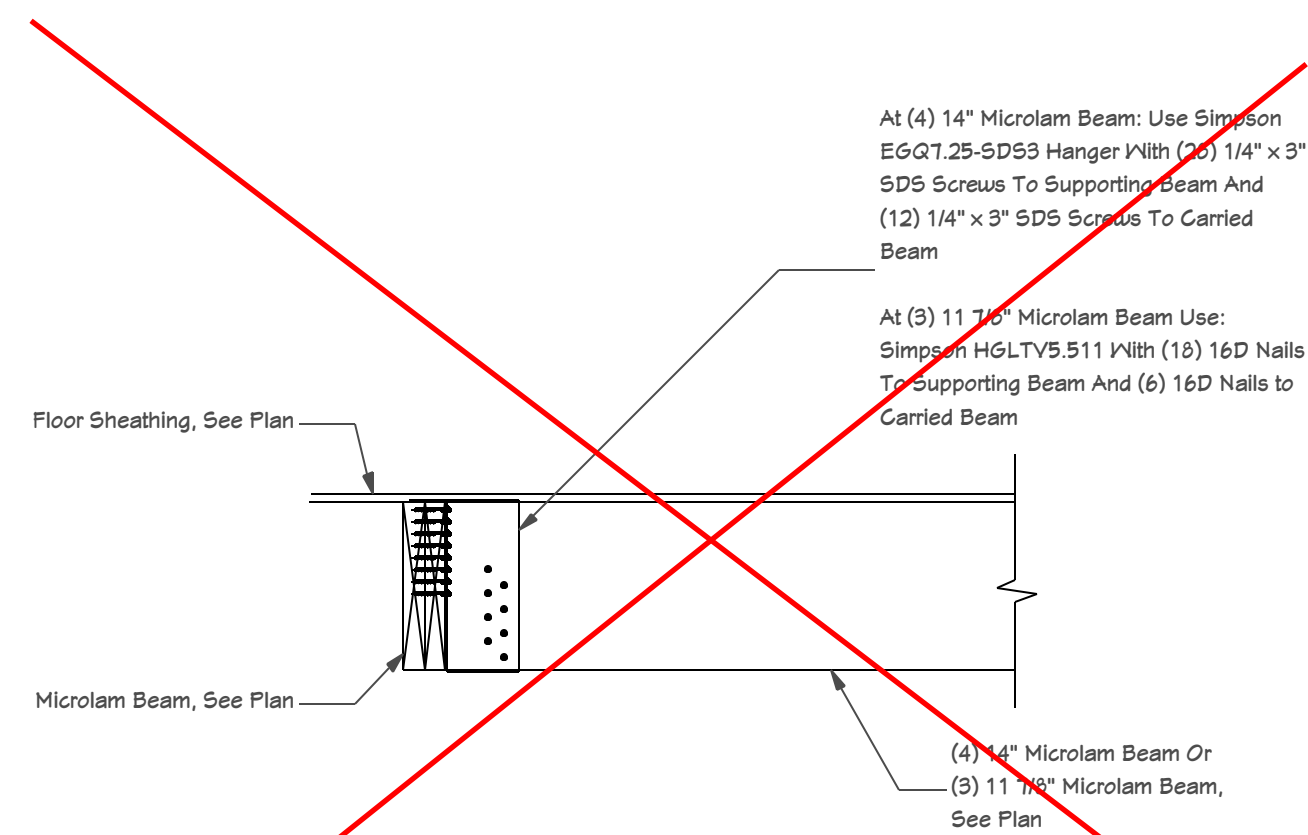


ROOF FRAMING CONNECTION

NOT TO SCALE

19

S6

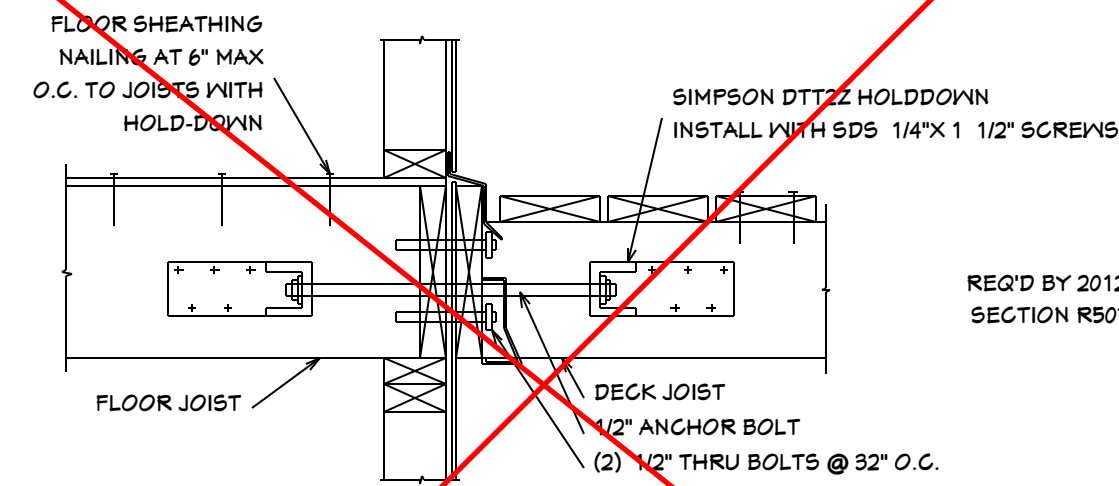


HIGH LOAD FLUSH BEAM TO FLUSH BEAM CONNECTION

NOT TO SCALE

20

S6



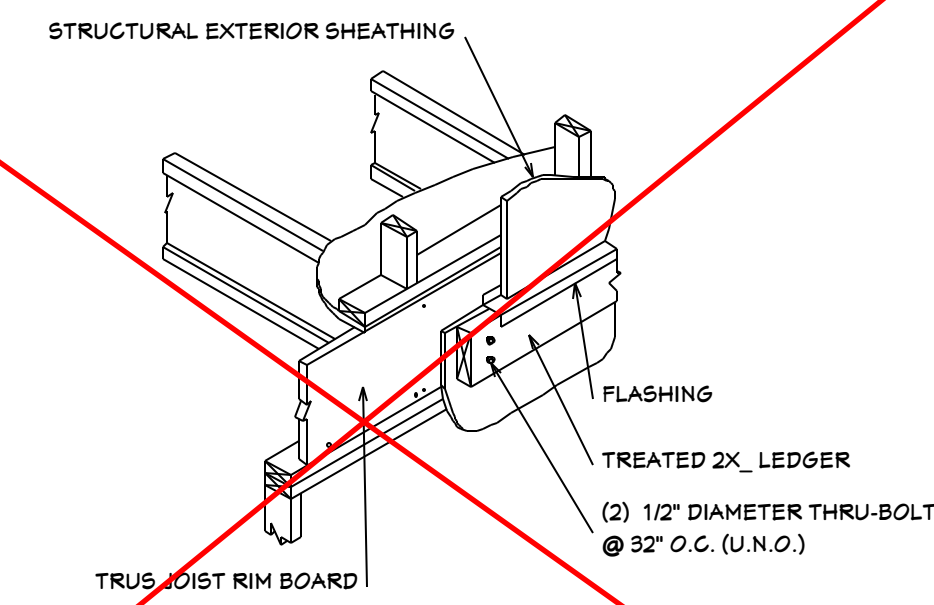
REQUIRED TO BE LOCATED AT LEAST 2 PLACES (TYPICALLY AT THE EDGES OF THE DECK, UNLESS OTHERWISE NOTED)

DECK ATTACHMENT FOR LATERAL LOADS

NOT TO SCALE

21

S6



ALLOWABLE LOAD IS 325 LBS (ASD) AND 515 LBS (LRFD) PER 12" DIAMETER LAG BOLT

DECK LEDGER DETAIL

NOT TO SCALE

22

S6

